

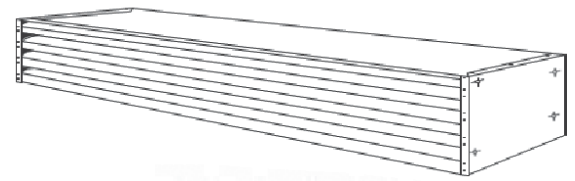
ACOUSTIC LOUVRE - ACL

DESCRIPTION & FEATURES

Acoustic louvres are suited for air intake or discharge ducted systems in building elevations. Roof top plant screening is also available on request. Robustly constructed from galvanised steel with acoustic infill (not less than 79Kg/m² density) faced with glass fibre tissue retained behind perforated mesh.

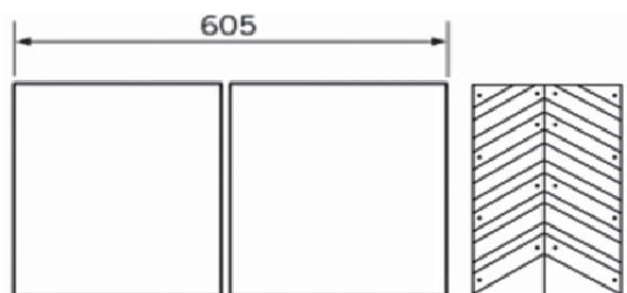
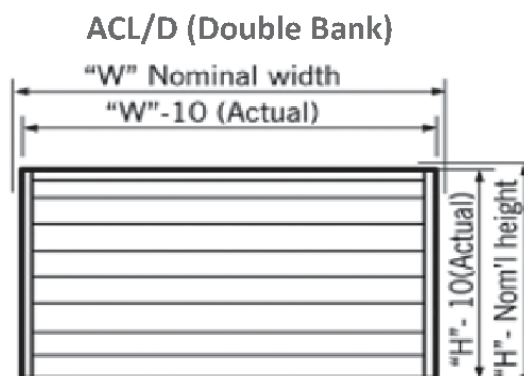
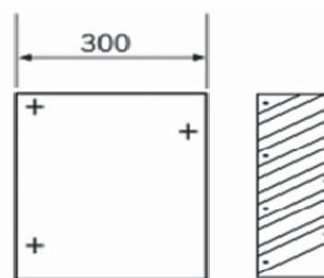
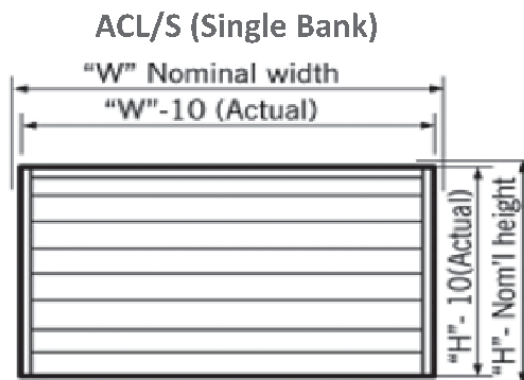
All units are complete with bird screen as standard, head and sill sections are available on request.

Acoustic Louvres can be polyester powder coated to the customers colour requirement.



ACL ORDERING CODE	
Series	ACL
Const	S - Single Bank D - Double Bank
Mesh	B - Bird Mesh I - Insect Mesh 0 - Not Applicable
Fixing	F0 - No fixings F1 - CSK Flange Fixing Holes F4 - Rear Fixing Strap
Finish	1 - (Mill Finish), 2 - RAL9006 (Silver/Grey) 3 - RAL9010 (White), 4 - RAL9005 (Black) 5 - RAL9003 (White), 6 - RAL9016 (White), 7 - Other RAL/BS Code (additional costs may apply) 8 - Chrome Finish - Powder Coated
Example: ACL/S/B/F0/1/Nominal Opening Size	

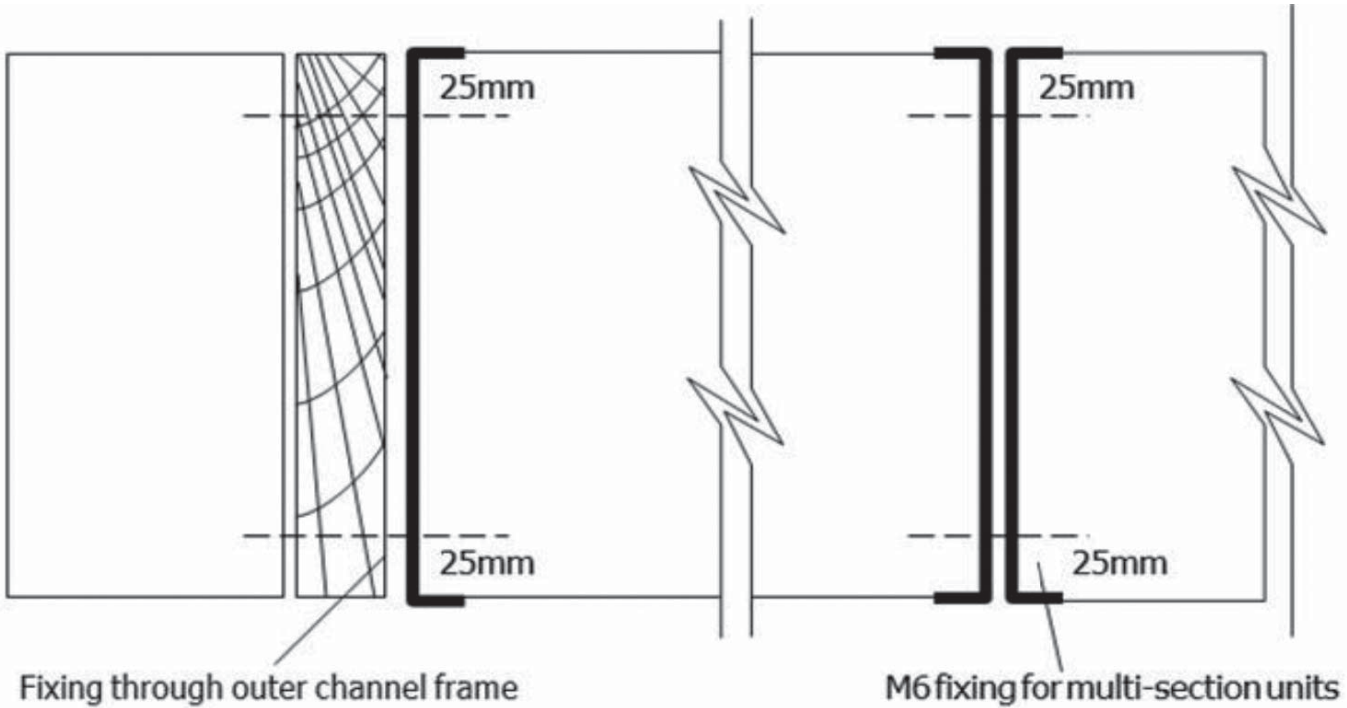
ACL DIMENSIONS



ACOUSTIC LOUVRE - ACL

ACL FIXING METHOD

Standard fixing is via the outer channel section frame into timber surround frame (minimum 40mm thickness) – (by others). When joining multi section acoustic louvres M6 nuts and bolts are used 22mm from face and rear of acoustic louvre assemblies. When a timber frame is not desired offset mounting alternative fixing methods are available, please consult our sales office.



ACL PERFORMANCE DATA

Table 1 Transmission Loss (dB)

	63Hz	125Hz	250Hz	500Hz	1kHz	2kHz	4kHz	8kHz
Single Bank	7	6	8	12	21	23	18	15
Double Bank	8	7	13	21	28	29	24	21

Table 2 Face Velocity/Pressure Drop (Pa)

Face Vel (m/s)	P.Drop (Pa)	
	Single Bank	Double Bank
0.5	5	8
0.75	7	15
1	10	25
1.25	20	35
1.5	30	50
1.75	40	65
2	55	85
2.25	70	110
2.5	90	135
2.75	110	160
3	130	190

Table 3 Correction Factor Pressure Drop for Height

Louvre Height	600	900	1200	1500	1800
Multiply Pa by	2.2	1.4	1	0.86	0.86