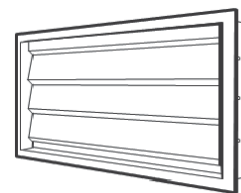


MOVABLE BLADE LOUVRE - MBL

DESCRIPTION & FEATURES

Movable blade louvres are suitable for supply and extract and providing a means of volume control. Fully open, the blades, integral rain lip, are at 45° with a 100mm pitch and flanges are 38mm. Blades are manually operated from the rear as standard. Manual front operated and electric actuators are available.

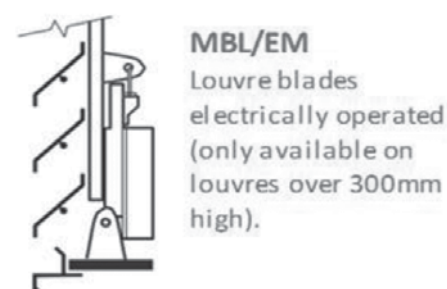
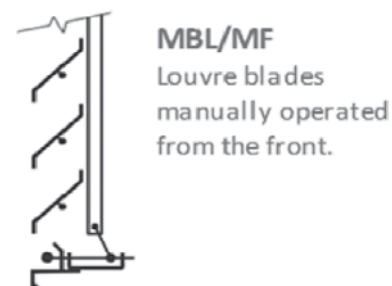
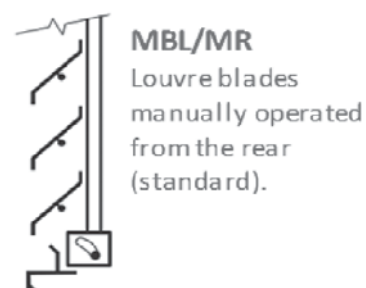


MBL louvres are manufactured from extruded aluminium sections, the mitred corners being fully welded. All pivots on both blades and link bars rotate in nylon bearings. Bird guard and Insect Mesh are optional extras.

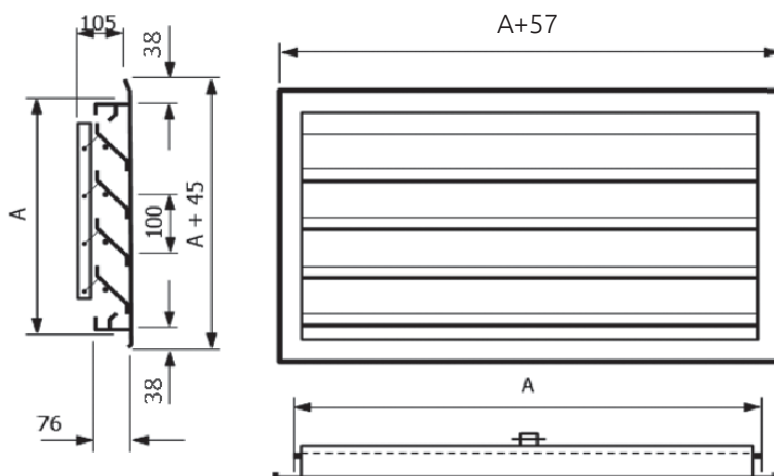
External Louvres are supplied in Mill Finish as standard, or polyester powder coated to the customers colour requirement.

MBL ORDERING CODE	
Series	MBL
Mode	MR - Manually Rear MF - Manually Front EM - Electrically
Mesh	B - Bird Mesh I - Insect Mesh 0 - Not Applicable
Fixing	F0 - No fixings F1 - CSK Flange Fixing Holes
Finish	1 - (Mill Finish), 2 - RAL9006 (Silver/Grey) 3 - RAL9010 (White), 4 - RAL9005 (Black) 5 - RAL9003 (White), 6 - RAL9016 (White), 7 - Other RAL/BS Code (additional costs may apply) 8 - Chrome Finish - Powder Coated
Example: MBL/MR/B/F0/1/Nominal Opening Size	

MBL OPERATING MODES



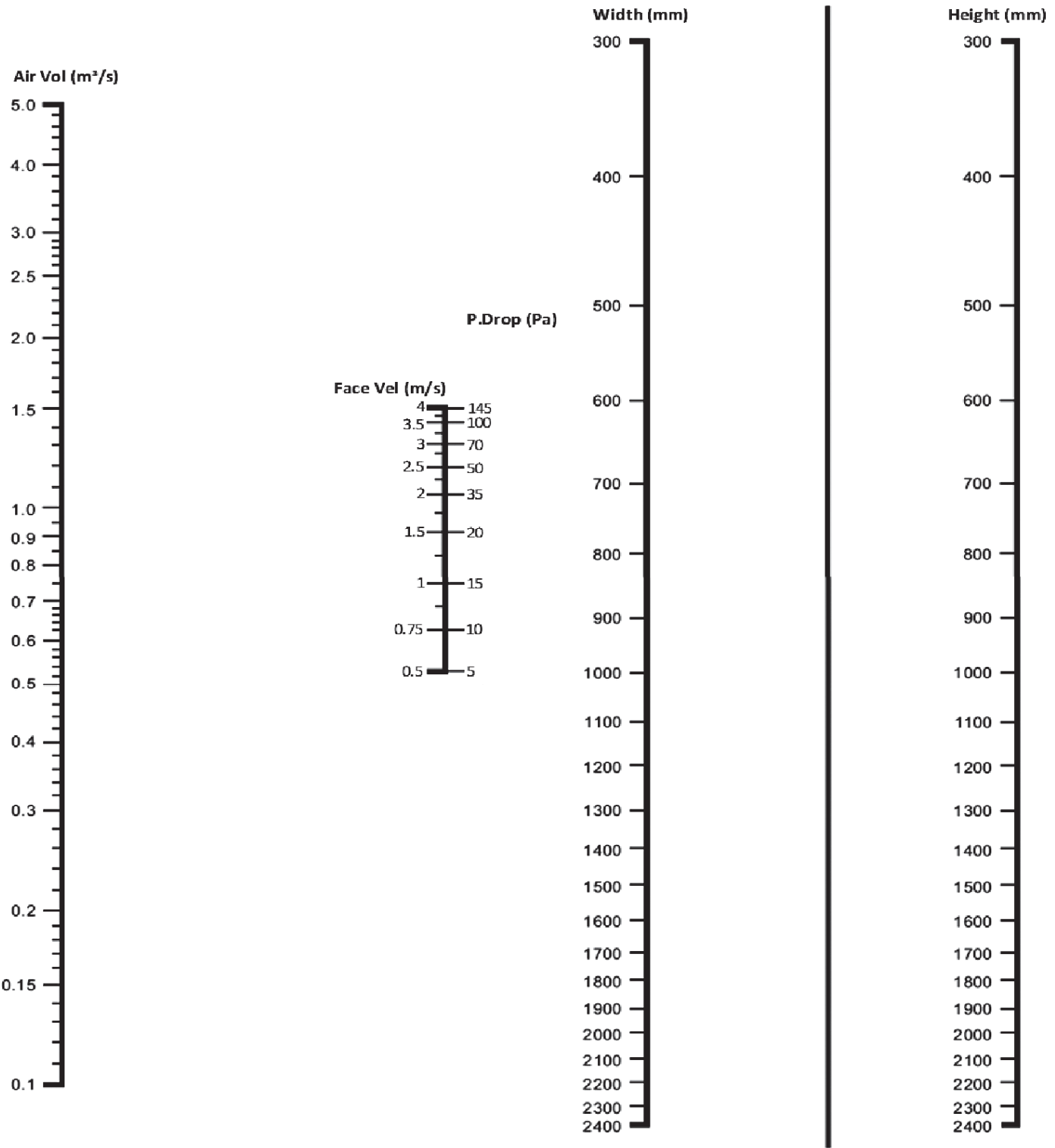
MBL DIMENSIONS



Louvres are manufactured in one piece units up to 1500mm square. Louvres of a larger size can be made by the use of multiple units with vertical and horizontal supports required.

MOVABLE BLADE LOUVRE - MBL

MBL PERFORMANCE DATA



MBL

P6.2.R0 MBL Movable Blade Louvres