

JET NOZZLE DIFFUSER - JND

DESCRIPTION & FEATURES

JND Jet Nozzle Diffuser is suitable for supplying cooled and heated air in large areas. The air flow pattern can be adjusted in any direction and is suitable for long distance air supply whilst maintaining low noise levels.

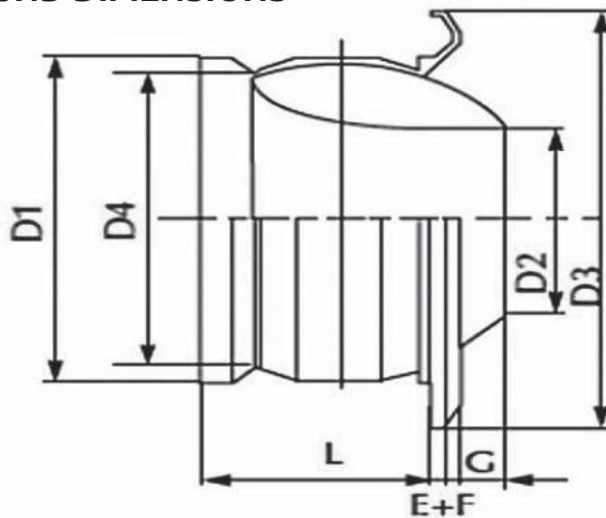


The JND and decorative ring are manufactured in aluminium.

Standard Finish is RAL9006 or RAL9010, or polyester powder coated to the customers colour requirement.

JND ORDERING CODE	
Series	JND
Finish	2 - RAL9006 (Silver/Grey)
	3 - RAL9010 (White)
	4 - RAL9005 (Black)
	5 - RAL9003 (White)
	6 - RAL9016 (White),
	7 - Other RAL/BS Code (additional costs may apply)
	8 - Chrome Finish - Powder Coated
	Example: JND/3/Size/Model

JND DIMENSIONS



SIZE	D1	D3	D2	D4	L	E	F	G
100	98	148	60	70	85	8	8	6
125	123	170	64	90	80	8	7	8
160	158	210	85	130	98	9	14	8
200	198	255	108	160	112	8	11	12
250	248	301	136	208	143	10	15	13
315	310	380	186	270	160	9	13	29
400	396	467	230	350	182	11	11	52
500	492	598	290	445	230	8	15	65

Manual adjustment as standard. Electric actuators available upon request.

JET NOZZLE DIFFUSER - JND

JND PERFORMANCE DATA

AIR VOL (l/s)	100				125				160				200			
	THROW	RISE & FALL	P.DROP	NOISE	THROW	RISE & FALL	P.DROP	NOISE	THROW	RISE & FALL	P.DROP	NOISE	THROW	RISE & FALL	P.DROP	NOISE
	(m)	(m)	(Pa)	(NC)	(m)	(m)	(Pa)	(NC)	(m)	(m)	(Pa)	(NC)	(m)	(m)	(Pa)	(NC)
10	3.9	0.6	17	/												
20	5.8	0.4	68	20	4.4	0.5	22	/	3.0	0.2	10	/				
30	7.0	0.5	152	30	6.0	0.6	50	20	4.0	0.3	21	/				
40					7.7	0.8	88	25	5.7	0.6	37	/	5.0	0.8	12	/
50					9.7	1.1	137	30	7.5	1.1	57	20	5.8	1.0	19	/
60									9.0	1.4	82	22	7.0	1.2	27	/
70									10.5	1.6	111	23	8.2	1.5	37	/
100									15.0	2.0	227	35	11.5	2.6	75	23
125													13.5	3.3	116	26
150													17.0	3.4	168	31

AIR VOL (l/s)	250				315				400			
	THROW	RISE & FALL	P.DROP	NOISE	THROW	RISE & FALL	P.DROP	NOISE	THROW	RISE & FALL	P.DROP	NOISE
	(m)	(m)	(Pa)	(NC)	(m)	(m)	(Pa)	(NC)	(m)	(m)	(Pa)	(NC)
60	5.4	1.5	11	/								
70	7.2	1.6	14	/								
100	9.0	1.8	29	/	7.0	1.8	11	/				
125	10.5	2.2	45	20	8.7	2.1	17	/				
150	13.0	2.9	65	22	10.4	2.4	24	/	9.0	2.5	10	/
200	17.9	3.4	114	27	13.8	3.0	43	20	11.0	3.2	14	/
250	19.8	3.8	178	32	17.4	3.9	67	24	13.0	4.0	22	/
300					21.0	4.9	96	28	15.7	4.3	32	20
350					24.5	6.9	131	30	18.5	4.6	43	23
400					28.0	9.0	170	34	20.1	4.9	56	26
450									23.3	6.3	71	30
500									25.0	7.0	87	32

Selections are based on horizontal discharge with a temperature differential of +/-10k to a terminal velocity of 0.75m/s without coanda effect.

