

# JET FLOW DIFFUSER - JFD

## DESCRIPTION & FEATURES

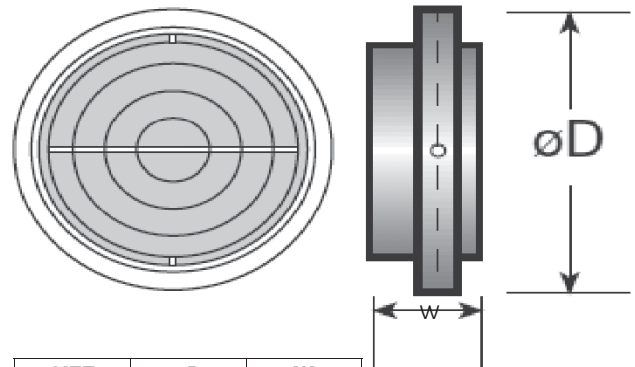
JFD Jet Flow Diffuser is suitable for supplying cooled and heated air in large areas. The air flow pattern can be adjusted in any direction and is suitable for long distance air supply whilst maintaining low noise levels.



The JFD comprises of a spun jet nozzle and can be mounted in a square/rectangular faceplate.

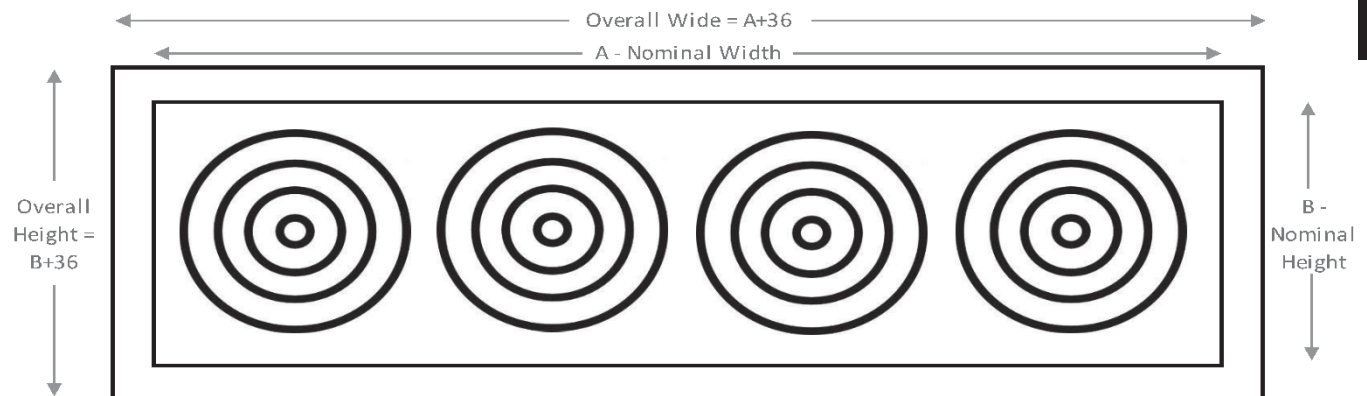
| JFD ORDERING CODE (DIFFUSER)            |  |
|---|--|
| Series                                  | <b>JFD</b>   |
| Ceiling                                 | <b>C</b> - Circular Face (1 element)<br><b>P</b> - Mounted in Plate  |
| Element                                 | <b>1, 2, 3, 4</b><br>(for plate configuration)   |
| Fixing                                  | <b>F0</b> - No fixings,<br><b>F1</b> - CSK Flange Fixing Holes   |
| Finish                                  | <b>1</b> - (Mill Finish)<br><b>2</b> - RAL9006 (Silver/Grey)<br><b>3</b> - RAL9010 (White)<br><b>4</b> - RAL9005 (Black)<br><b>5</b> - RAL9003 (White)<br><b>6</b> - RAL9016 (White),<br><b>7</b> - Other RAL/BS Code (additional costs may apply)<br><b>8</b> - Chrome Finish - Powder Coated |
| Example: <b>JFD/C/1/F0/3/Model Size</b> |  |

## JFD DIMENSIONS



| SIZE | øD  | W   |
|------|-----|-----|
| 160  | 158 | 110 |
| 200  | 198 | 150 |
| 250  | 248 | 200 |
| 315  | 313 | 265 |
| 400  | 398 | 350 |

## JFD MOUNTED IN PLATE



| SIZE | H   | WIDTH - ELEMENT QTY |     |      |      |
|------|-----|---------------------|-----|------|------|
|      |     | 1                   | 2   | 3    | 4    |
| 160  | 260 | 260                 | 505 | 750  | 995  |
| 200  | 310 | 310                 | 605 | 900  | 1195 |
| 250  | 360 | 360                 | 705 | 1050 | 1395 |
| 315  | 410 | 410                 | 805 | 1200 | 1595 |
| 400  | 510 | 510                 | 905 | 1350 | 1795 |

# JET FLOW DIFFUSER - JFD

## JFD PERFORMANCE

| AIR VOL<br>(l/s) | SIZE 200         |    |    |    |    |
|------------------|------------------|----|----|----|----|
|                  | THROW (m)/P.DROP |    |    |    |    |
|                  | St               | Pa | Ws | Pa | NC |
| 40               | 8                | 8  | 6  | 10 | /  |
| 50               | 9                | 12 | 6  | 16 | /  |
| 60               | 11               | 18 | 8  | 23 | 20 |
| 80               | 15               | 32 | 11 | 42 | 28 |
| 100              | 19               | 49 | 13 | 64 | 33 |
| 150              |                  |    |    |    |    |

| AIR VOL<br>(l/s) | 250              |    |    |    |    |
|------------------|------------------|----|----|----|----|
|                  | THROW (m)/P.DROP |    |    |    |    |
|                  | St               | Pa | Ws | Pa | NC |
| 40               |                  |    |    |    |    |
| 50               |                  |    |    |    |    |
| 60               | 9                | 10 | 6  | 13 | /  |
| 80               | 11               | 18 | 8  | 23 | 22 |
| 100              | 14               | 29 | 10 | 38 | 28 |
| 150              | 22               | 64 | 15 | 83 | 36 |

| AIR VOL<br>(l/s) | SIZE 315         |    |    |    |    |
|------------------|------------------|----|----|----|----|
|                  | THROW (m)/P.DROP |    |    |    |    |
|                  | St               | Pa | Ws | Pa | NC |
| 100              | 11               | 8  | 8  | 10 | /  |
| 150              | 14               | 18 | 10 | 23 | 24 |
| 200              | 19               | 32 | 13 | 42 | 35 |
| 250              | 22               | 50 | 15 | 65 | 44 |
| 300              | 26               | 72 | 18 | 94 | 52 |
| 350              |                  |    |    |    |    |
| 400              |                  |    |    |    |    |
| 500              |                  |    |    |    |    |

| AIR VOL<br>(l/s) | SIZE 400         |    |    |     |    |
|------------------|------------------|----|----|-----|----|
|                  | THROW (m)/P.DROP |    |    |     |    |
|                  | St               | Pa | Ws | Pa  | NC |
| 100              |                  |    |    |     |    |
| 150              | 13               | 7  | 9  | 9   | /  |
| 200              | 16               | 13 | 11 | 17  | 22 |
| 250              | 18               | 20 | 13 | 26  | 31 |
| 300              | 21               | 29 | 15 | 38  | 38 |
| 350              | 23               | 38 | 16 | 49  | 44 |
| 400              | 25               | 50 | 18 | 65  | 49 |
| 500              | 30               | 79 | 21 | 103 | 56 |

ST - Straight Throw  
WS - Widespread Throw

## THROW

Data relating to the tabulated 'throw' dimension is based on 'free jet' horizontal discharge of air at isothermal condition to a terminal velocity of 0.25m/sec.

## MULTIPLE UNITS

In applications where multiple adjacent jets are used, then the throw lengths are increased as follows:

- 2 jets: 1.40 x throw length
- 3 jets: 1.70 x throw length
- 4 jets: 1.90 x throw length