

VARIABLE SWIRL DIFFUSER - SWV

DESCRIPTION & FEATURES

Variable Swirl Diffusers are suitable for the supply of cooled or heated air with a large temperature difference. The SWV is a variable geometry circular diffuser, and the blade position can be adjusted to give horizontal, angled or vertical air discharge. The blades can be either manually adjusted, or by means of an electric actuator, or a thermostatic (self adjusting) element to give optimum penetration when either in cooling or heating mode.



The SWV is highly suitable for air heating in high rooms. The large penetration depth makes it possible to work with a lower capacity and offers a high induction effect. SWV can be mounted directly onto ductwork in exposed applications or available with purpose built plenum boxes. Unit sizes upto 315 can be supplied in a 600sq plate to replace a number of ceiling tiles.

SWV diffusers have the outer spinning in aluminium, blades in steel.

Standard finish is RAL9010 or polyester powder coated to the customers colour requirement.

PLENUM BOXES

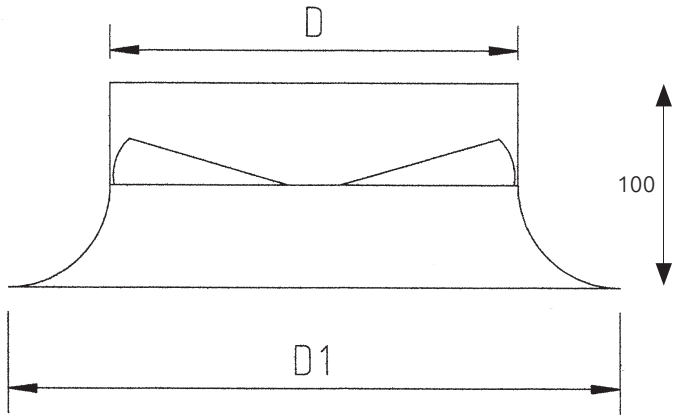
Plenum boxes are accessories for use with Grilles and Diffusers. They are designed to equalise the pressure profile within the box and hence provide an even velocity at the face of the Grille or Diffuser without the use of Equalising Grids.

SWV ORDERING CODE (DIFFUSER)	
Series	SWV
Const	S - Square (unit sizes upto 315dia) C - Circular
Ceiling (only on square units)	S - Standard (cut in) M - Modular (595sq tile) T - Tegular (see data sheet) B - Clip in tile
Blades	M - Manual E - Electric Actuator T - Thermostatic Element
Finish	1 - (Mill Finish) 2 - RAL9006 (Silver/Grey) 3 - RAL9010 (White) 4 - RAL9005 (Black) 5 - RAL9003 (White) 6 - RAL9016 (White), 7 - Other RAL/BS Code (additional costs may apply) 8 - Chrome Finish - Powder Coated
Example: SWV/C/S/T/3/Model Size	

SWV ORDERING CODE (PLENUM)	
Type	PBU - Un-Lined Side PBL - Lined Side
Series	SWV
Mesh	P - Perforated Equalising Mesh 0 - No Equalising Mesh
Damper	LS - Lever Spigot Damper CS - Cord Spigot Damper 0 - No Damper
Spigot	OP - 2 Opposite Spigots AD - 2 Adjacent Spigots FL - Flat Oval Spigot
Finish	IN - Black Internal EX - Black External IE - Black Internal & External
Example: PBL/SWV/0/CS/Model Size/Spigot Size	

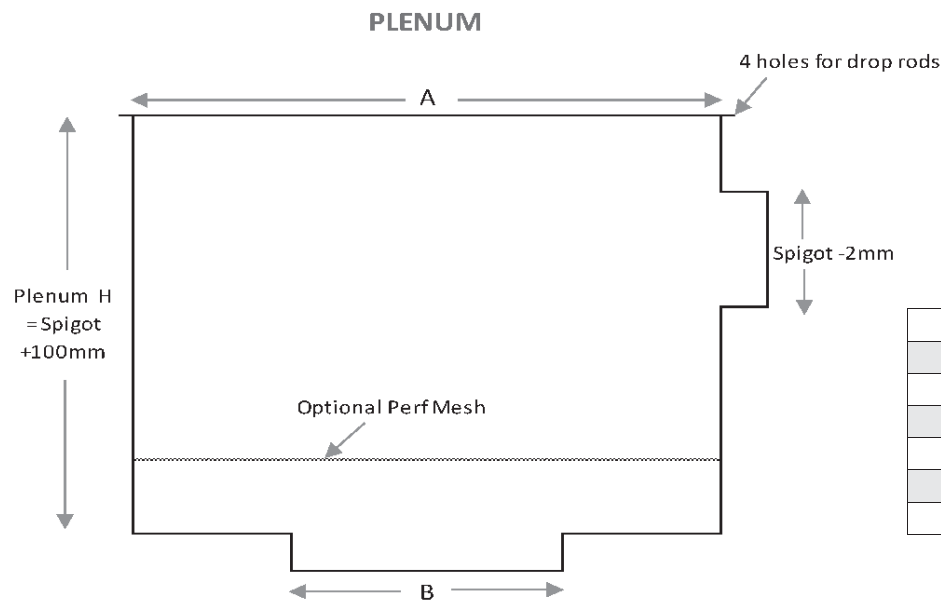
VARIABLE SWIRL DIFFUSER - SWV

SWV DIMENSIONS (DIFFUSER)

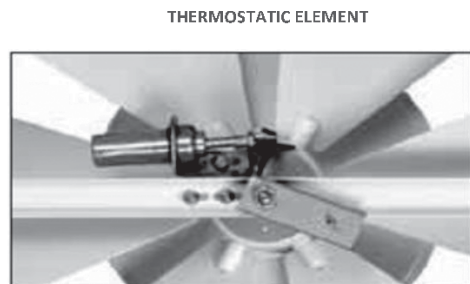
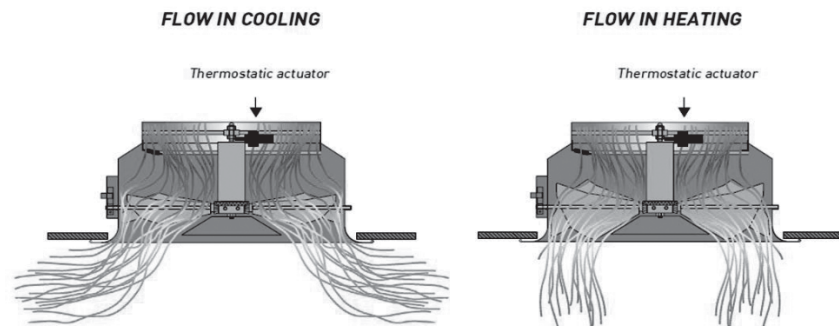


SIZE	D	D1
200	198	300
250	248	350
315	313	415
400	398	500
500	498	600
630	628	730

PLENUM BOX DIMENSIONS



SIZE	A	B
200dia	300x300	202dia
250dia	350x350	252dia
315dia	400x400	317dia
400dia	500x500	403dia
500dia	600x600	503dia
630dia	700x700	633dia



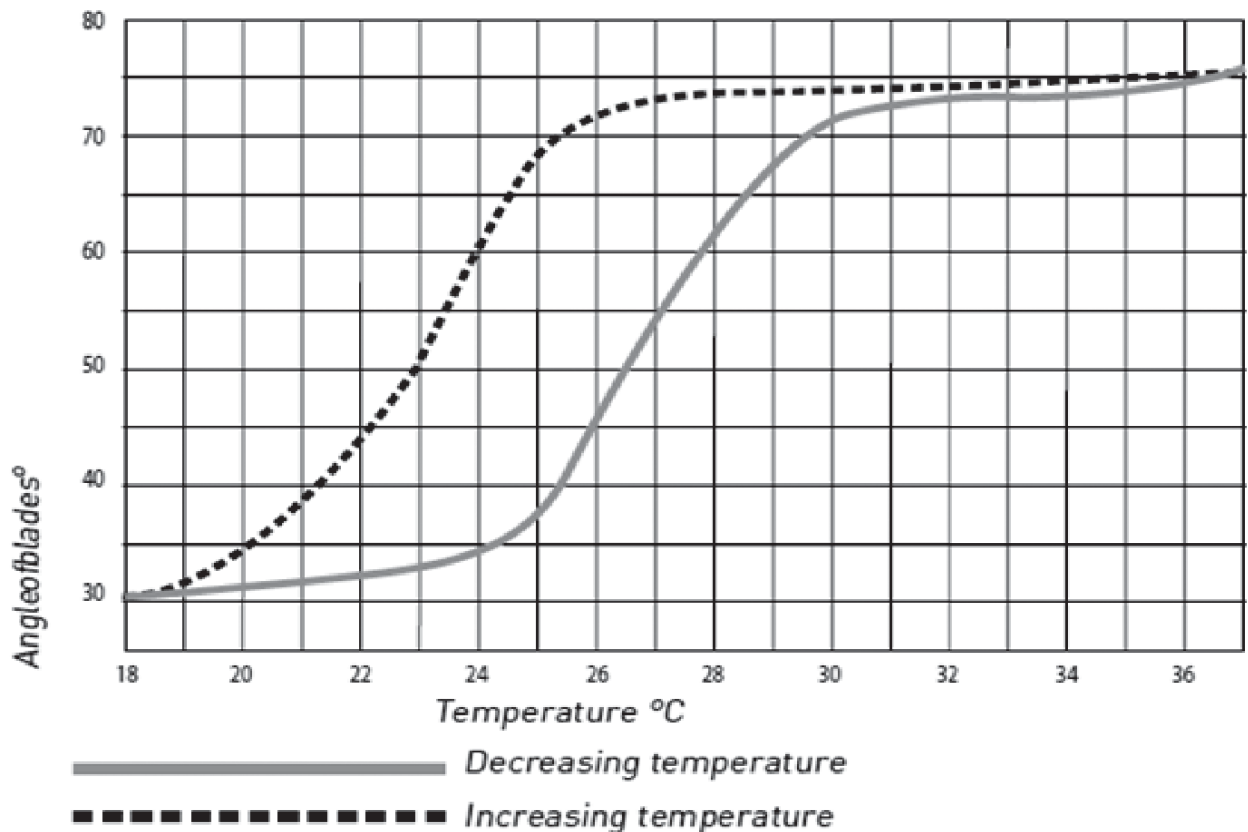
VARIABLE SWIRL DIFFUSER - SWV

PPD PERFORMANCE DATA

SIZE	AIR VOL (l/s)		NOISE (NC)		THROW (m)		P.DROP (Pa)	
	MIN	MAX	MIN	MAX	MIN	MAX	MIN	MAX
200dia	86	264	34	59	2.1	6.7	10	50
250dia	128	392	33	57	2.4	7.7	10	50
315dia	194	594	32	56	2.9	9.1	10	50
400dia	300	911	31	50	3.6	11.2	10	50
500dia	450	1361	30	54	4.5	14.5	10	50
630dia	681	2061	29	53	6.1	20.9	10	50

Performance data is based on blades angled at 45° to give a room velocity of 0.25m/s. Please contact Sales Office for full selections once temperature differential and room conditions are known.

Diagram below shows how angle of blade depends on temperature.



Notes

AMS