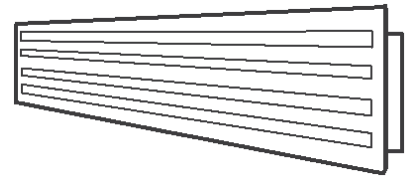


# LINEAR SLOT DIFFUSER - SLD

## DESCRIPTION & FEATURES

SLD is a versatile, flexible and cost effective linear diffuser, it can be incorporated discreetly into most interiors for ceilings or sidewalls, with the additional option of special edge trims.



Designed for high capacity the SLD can handle more air volume at lower sound level, pressure drop and shorter throw than most comparable products. Available in 1-10 slots, one or two way horizontal air distribution comes complete with black blade control elements (as standard).

Standard fixing by means of concealed U brackets into hemmed plenums or fixing to the rear of ceiling surface material. Our standard construction is with welded end flanges giving clean lines without visible joints.

Standard finish is RAL9010 or polyester powder coated to the customers colour requirement.

## PLENUM BOXES

Plenum boxes are accessories for use with Grilles and Diffusers. They are designed to equalise the pressure profile within the box and hence provide an even velocity at the face of the Grille or Diffuser without the use of Equalising Grids.

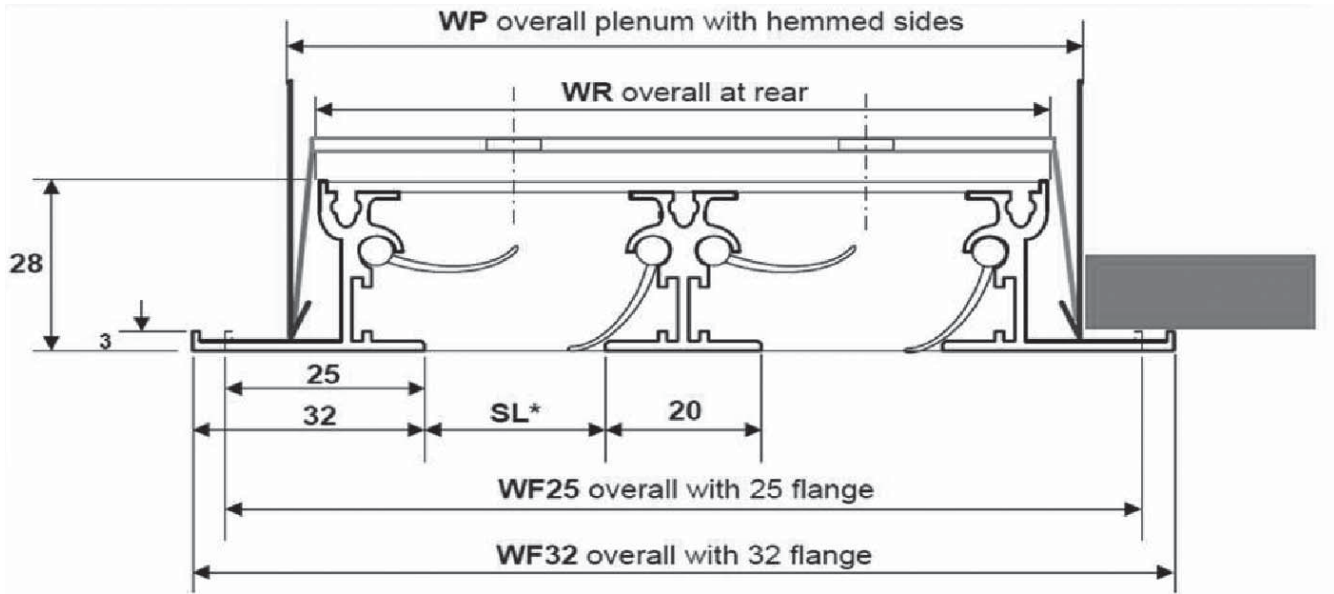
SLD ORDERING CODE (DIFFUSER)	
Series	<b>SLD</b>
Width	<b>20</b> - 20mm Slots <b>25</b> - 25mm Slots
Frame	<b>25</b> - 25mm Frame <b>32</b> - 32mm Frame <b>P</b> - Panel <b>PF</b> - Plaster Frame
Ends	<b>0E</b> - Open Ends <b>1E</b> - 1 End <b>2E</b> - 2 Ends <b>EP</b> - End Plates
Blades	<b>B</b> - Black <b>W</b> - White <b>M</b> - Mill Finish
Fixing	<b>F6</b> - Plenum Fixing <b>F7</b> - Support Brackets
Finish	<b>1</b> - (Mill Finish) <b>2</b> - RAL9006 (Silver/Grey) <b>3</b> - RAL9010 (White) <b>4</b> - RAL9005 (Black) <b>5</b> - RAL9003 (White) <b>6</b> - RAL9016 (White), <b>7</b> - Other RAL/BS Code (additional costs may apply) <b>8</b> - Chrome Finish - Powder Coated
Example: <b>SLD/20/25/2E/0/B/F6/3/1800x2 Slot/1846x134</b>	

SLD ORDERING CODE (PLENUM)	
Type	<b>PBU</b> - Un-Lined Side <b>PBL</b> - Lined Side <b>PBA</b> - Adaptor Top
Series	<b>SLD</b>
Mesh	<b>P</b> - Perforated Equalising Mesh <b>0</b> - No Equalising Mesh
Damper	<b>LS</b> - Lever Spigot Damper <b>CS</b> - Cord Spigot Damper <b>0</b> - No Damper
Spigot	<b>OP</b> - 2 Opposite Spigots <b>AD</b> - 2 Adjacent Spigots <b>FL</b> - Flat Oval Spigot
Finish	<b>IN</b> - Black Internal <b>EX</b> - Black External <b>IE</b> - Black Internal & External
Example: <b>PBX/SLD/S/IL/CS/1800x2 Slotx198dia/300H</b>	

Blanking Plates (black supplied loose for cutting on site) & Mitred Corners (90°, 300x300 inside leg) ordered as a separate item.

# LINEAR SLOT DIFFUSER - SLD

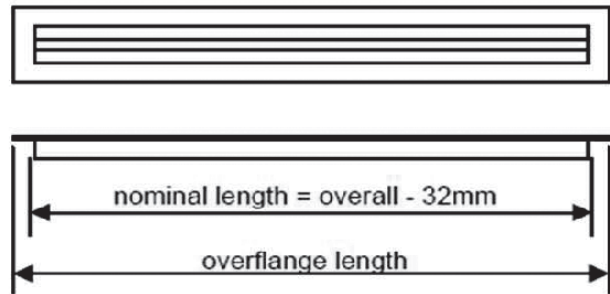
## SLD DIMENSIONS (DIFFUSER)



**SLD20**

Slot	WF25	WF32	WR	WP
1	70	84	48	56
2	110	124	88	96
3	150	164	128	136
4	190	204	168	176
5	230	244	208	216
6	270	284	248	256
7	310	324	288	296
8	350	364	328	336
9	390	404	368	376
10	430	444	408	416

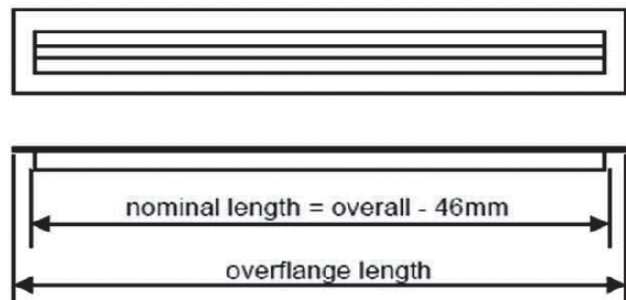
**SLD with 25mm frame**



**SLD25**

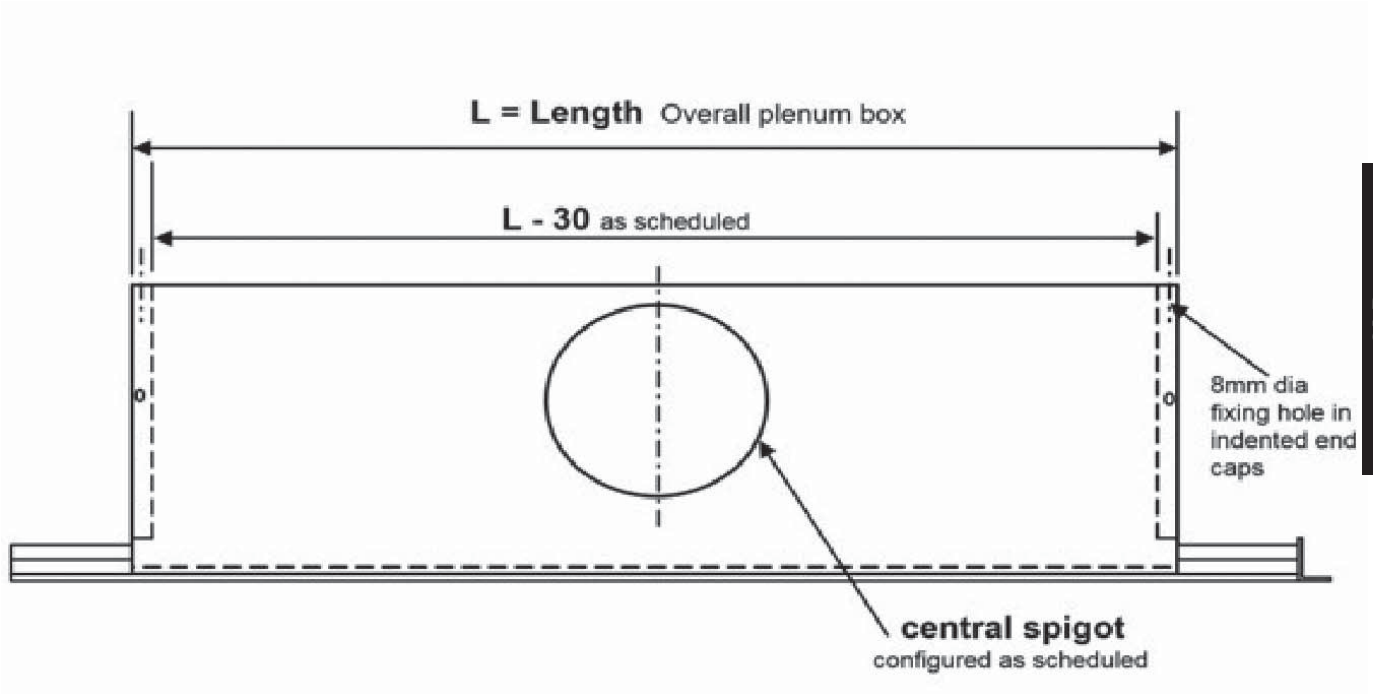
Slot	WF25	WF32	WR	WP
1	75	89	53	61
2	120	134	98	106
3	165	179	143	151
4	210	224	188	196
5	255	269	233	241
6	300	314	278	286
7	345	359	323	331
8	390	404	368	376
9	435	449	413	421
10	480	494	458	466

**SLD with 32mm frame**

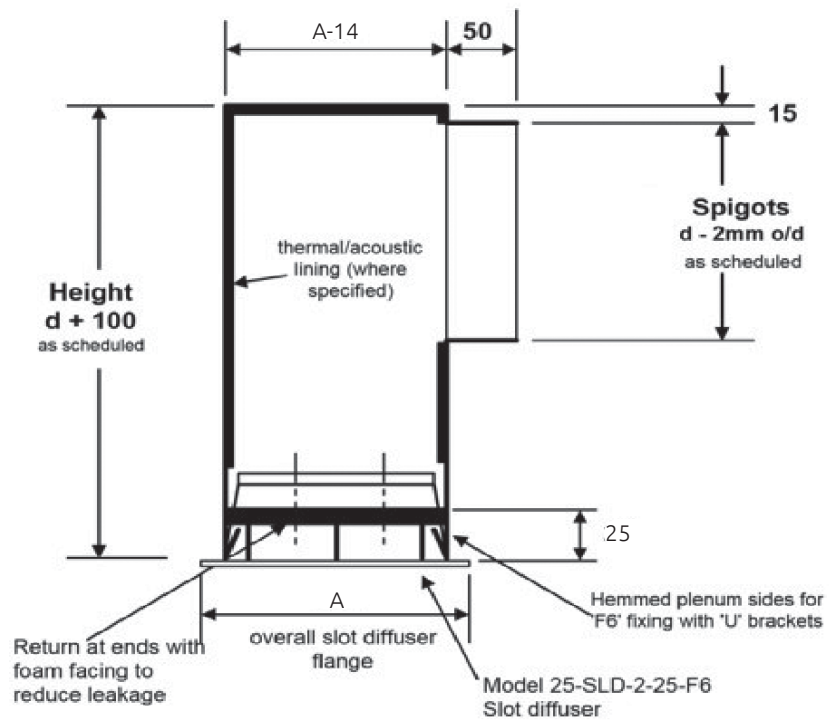


# LINEAR SLOT DIFFUSER - SLD

## PLENUM BOX DIMENSIONS



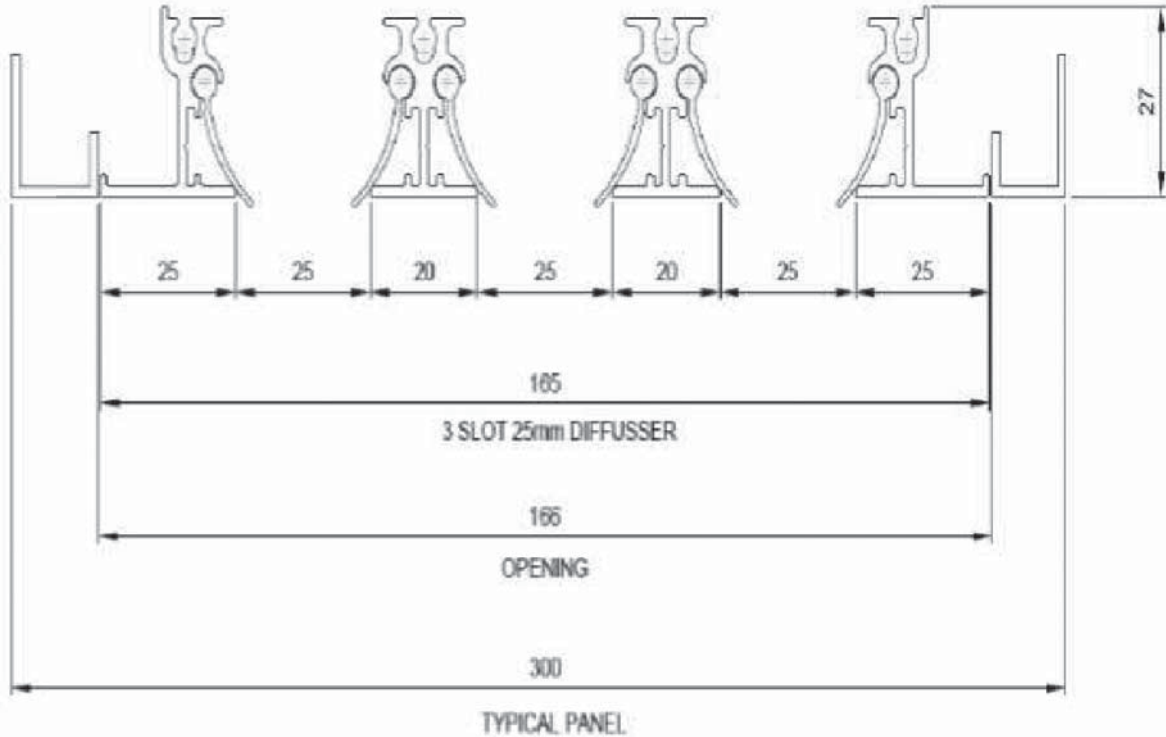
SLD



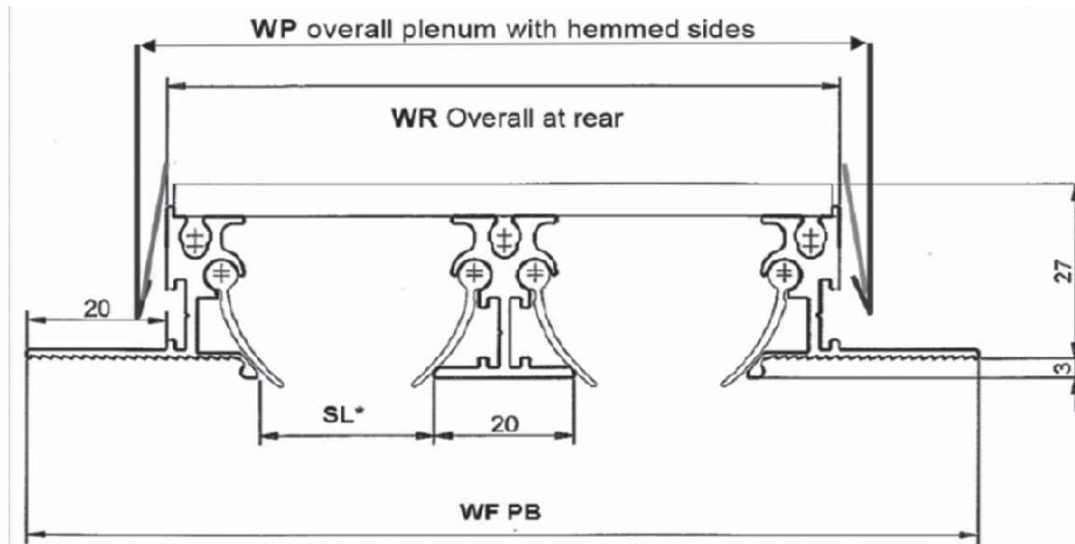
P2.5.R0 SLD Linear Slot Diffuser

# LINEAR SLOT DIFFUSER - SLD

## SLD PANEL SLOT DIFFUSER



## SLD PLASTER FRAME SLOT DIFFUSER



SLD20

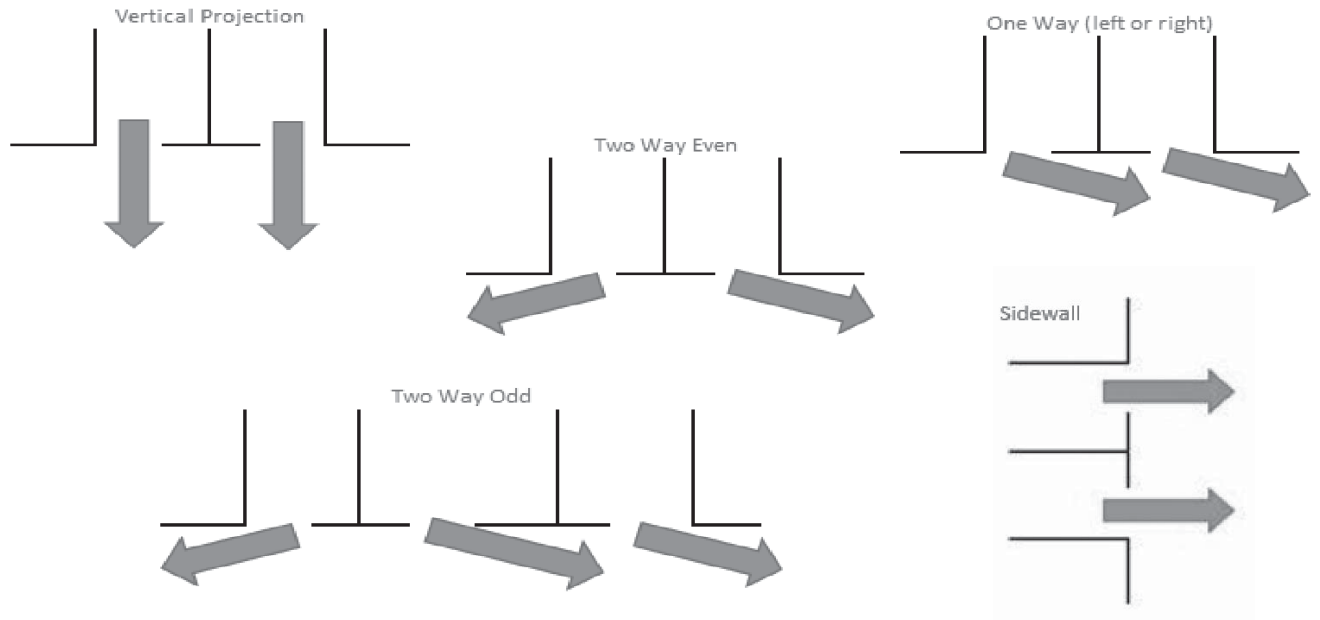
SLD25

Slot	WFPB	WR	WP
1	87	50	58
2	127	87	95
3	167	130	138
4	207	170	178
5	247	210	218
6	287	250	258
7	327	290	298
8	367	330	338

Slot	WFPB	WR	WP
1	92	55	63
2	137	97	105
3	182	145	153
4	227	190	198
5	272	235	243
6	317	280	288
7	362	235	333
8	407	370	378

# LINEAR SLOT DIFFUSER - SLD

## SLD PLASTER FRAME SLOT DIFFUSER (cont)



SLD

SLD20 1-WAY HORIZONTAL DISCHARGE DIFFUSER c/w SUPPLY SIDE ENTRY PLENUM

AIR VOL (l/s)	ACTIVE LENGTH	SPIGOT	1-Slot		2-Slot		3-Slot		4-Slot		5-Slot		6-Slot		7-Slot		8-Slot		9-Slot		10-Slot								
			T	Pa	NR	T	Pa	NR	T	Pa	NR	T	Pa	NR	T	Pa	NR	T	Pa	NR	T	Pa	NR	T	Pa	NR			
25	600	123dia	2.9	29	28	1.4	12	1.0	8	0.7	6																		
	900		1.7	17	18	0.8	8	0.6	5																				
	1200		1.2	12		0.6	6																						
50	600	148dia		4.0	35	31	2.7	22	21	2.0	16	1.6	12	1.3	10	1.2	8												
	900		2.4	22	21	1.6	14	1.2	10	1.0	8																		
	1200		3.3	35	31	1.7	16	1.1	10	0.8	7																		
	1500		2.6	27	26	1.3	12	0.9	8	0.6	6																		
75	1800	198dia	2.1	22	21	1.0	10	0.7	6	0.5	5																		
	600			4.9	31	33	3.7	22	26	3.0	17	2.0	12	2.5	14	2.1	12	1.9	10	1.6	9	1.5	8						
	900		4.4	31	33	2.9	19	2.2	14	1.7	11	1.5	9	1.5	9	1.2	7	1.1	6	1.0	6								
	1200		3.1	26	22	2.0	14	1.5	10	1.2	8	1.0	6	1.0	6	0.9	5												
100	1500	248dia	4.7	40	38	2.3	17	2.0	16	1.1	12	0.9	6																
	1800		3.8	31	33	1.9	14	1.3	9	1.0	6																		
	600																												
	900																												
125	1200	248dia																											
	1500		4.7	29	34	3.1	17	2.4	12	1.9	9	1.6	8	1.6	8	1.3	6	1.2	6										
	1800		3.6	21	29	2.4	13	1.8	9	1.4	7	1.2	6																
	600		2.9	17	24	2.0	11	1.5	8	1.2	6																		
150	900	248dia																											
	1200																												
	1500		5.0	32	35	3.4	20	2.5	14	2.0	11	1.7	9	2.2	12	1.9	10	1.6	8	1.5	7	1.5	7	1.1	6				
	1800		4.1	26	31	2.7	16	2.0	12	1.6	9	1.4	7	1.4	7	1.2	6	1.3	7	1.0	5	1.1	6						
175	600	298dia																											
	900																												
	1200																												
	1500																												
	1800		6.8	38	41	4.5	23	3.1	3.4	17	2.3	13	2.3	11	1.9	9	1.7	8	1.5	7	1.5	7	1.4	6					
	600																												
	900																												
	1200																												

SLD20 1-WAY HORIZONTAL DISCHARGE DIFFUSER c/w SUPPLY SIDE ENTRY PLENUM (continued)

AIR VOL (l/s)	ACTIVE LENGTH	1-Slot		2-Slot		3-Slot		4-Slot		5-Slot		6-Slot		7-Slot		8-Slot		9-Slot		10-Slot											
		T	Pa	NR	T	Pa	NR	T	Pa	NR	T	Pa	NR	T	Pa	NR	T	Pa	NR	T	Pa	NR									
200	600														9.2	41	41	8.1	35	37	7.2	30	34	6.5	27	32					
	900									7.6	38	39	6.3	30	35	5.4	25	31	4.8	22	27	4.2	19	24	3.8	17	21				
	1200							6.7	35	37	5.3	27	32	4.4	22	27	3.8	18	23	3.3	16	20	3.0	14	/	2.7	12	/			
	1500							6.8	38	39	5.1	27	32	4.1	21	26	3.4	17	21	2.6	12	/	2.3	11	/	2.0	9	/			
	1800							5.5	30	35	4.1	22	27	3.3	17	21	2.8	14	/	2.1	10	/	1.8	9	/	1.7	8	/			
250	600																				10.0	37	41	9.0	38	32					
	900											8.9	37	41	7.6	31	37	6.6	26	34	5.9	23	31	5.3	20	28					
	1200									7.4	32	38	6.2	26	34	5.3	22	30	4.7	19	26	4.1	16	23	3.7	15	20				
	1500							7.1	32	38	5.7	25	33	4.8	20	28	4.1	17	24	3.6	15	20	3.2	13	/	2.9	11	/			
	1800							7.7	37	41	5.8	26	34	4.6	20	28	3.9	16	23	2.9	16	/	2.6	10	/	2.3	9	/			
300	600																									11.9	47	44			
	900																				8.7	38	39	7.8	33	36	7.0	29	34		
	1200											8.2	38	39	7.0	31	35	6.1	27	32	5.4	23	29	4.9	21	26					
	1500									7.5	36	38	6.3	29	33	5.4	24	29	4.7	21	26	4.2	18	23	3.8	16	20				
	1800									7.6	38	39	6.1	29	34	4.3	20	25	3.8	17	21	3.4	15	/	3.0	13	/				
400	900																									10.8	41	42			
	1200																				9.4	38	40	8.4	33	37	7.5	29	35		
	1500											9.6	41	42	8.2	34	38	7.2	29	35	6.4	26	32	5.8	23	29					
	1800									9.4	41	42	7.8	33	38	6.7	29	34	5.9	24	30	5.2	21	27	4.7	18	24				
500	1200																									11.7	43	44	10.5	38	41
	1500																				10.1	38	41	9.0	38	33	8.1	36	29		
	1800											10.9	43	44	9.4	36	40	8.2	30	37	7.3	27	34	6.5	23	31					

Throw data (metres) is based on to a Terminal Velocity of 0.5m/s to give an average room air movement of 0.25m/s when fitted within a 2.7m high ceiling.

Sound Power Levels (NR) and Pressure Drops (Pa) applies to a fully opened Damper. The assumed room absorption is between 8-10dB.

Selection and tests are based on +/- 10°C.

/ indicates a value of less than 20.

Selections charts do not include for 2-Way (split) performance. Please contact our head office for full selections.



SLD20 VERTICAL DISCHARGE DIFFUSER c/w SUPPLY SIDE ENTRY PLENUM

AIR VOL (l/s)	ACTIVE LENGTH	SPIGOT	1-Slot		2-Slot		3-Slot		4-Slot		5-Slot		6-Slot		7-Slot		8-Slot		9-Slot		10-Slot											
			T	Pa	NR	T	Pa	NR	T	Pa	NR	T	Pa	NR	T	Pa	NR	T	Pa	NR	T	Pa	NR	T	Pa	NR						
25	600	123dia	1.0	18	18	0.5	8																									
	900		0.6	11																												
	1200		0.4	8																												
50	600	148dia				1.4	23	21	0.9	14	/	0.7	10	/	0.6	8	/															
	900		1.7	32	29	0.8	14	/	0.6	9	/																					
	1200		1.2	23	21	0.6	10	/																								
75	1500	198dia	0.9	15		0.5	8	/																								
	1800		0.7	14																												
	600					2.6	38	34	1.7	24	23	1.3	17	/	1.0	13	/	0.9	11	/	0.7	9	/									
100	900	248dia				1.5	24	23	1.0	15	/	0.8	11	/	0.6	8	/															
	1200		2.2	38	34	1.1	17	/	0.7	11	/	0.5	8	/																		
	1500		1.7	29	28	0.8	13	/	0.6	8	/																					
125	1800	248dia	1.3	24	23	0.7	11	/																								
	600					2.7	35	32	2.0	25	24	2.0	25	24	1.6	19	/	1.3	16	/	1.2	13	/	1.0	11	/	0.9	10	/	0.8	9	/
	900					2.4	35	32	1.6	22	21	1.2	16	/	1.0	12	/	0.8	10	/	0.7	8	/									
150	1200	248dia				1.7	25	24	1.1	16	/	0.8	11	/	0.7	9	/															
	1500		2.5	44	36	1.3	19	/	0.8	12	/	0.6	9	/																		
	1800		2.1	35	32	1.0	16	/	0.7	10	/																					
175	600	298dia				3.3	38	39	2.2	24	28	1.7	17	/	1.3	13	/	1.1	11	/	0.9	9	/	0.8	8	/						
	900					3.8	38	39	2.8	27	31	2.3	21	25	1.9	17	20	1.6	14	/	1.4	12	/	1.3	11	/	1.1	9	/			
	1200					2.3	27	31	1.5	17	20	1.2	12	/	0.9	9	/	0.8	8	/	0.7	7	/									
150	1500	248dia				1.8	21	25	1.2	13	/	0.9	9	/	0.7	7	/															
	1800		2.9	38	39	1.4	17	21	1.0	11	/	0.7	8	/	0.6	6	/															
	600					3.7	39	37	3.0	30	31	2.5	24	26	2.1	20	22	1.9	17	/	1.6	15	/	1.5	13	/						
175	900	298dia				2.9	34	34	2.2	24	26	1.7	19	20	1.5	15	/	1.2	13	/	1.2	13	/	1.1	11	/	1.0	10	/	0.9	8	/
	1200					3.1	39	37	2.0	24	26	1.5	17	/	1.2	13	/	1.0	11	/	0.9	9	/	0.8	8	/						
	1500					2.3	30	31	1.6	19	20	1.2	13	/	0.9	10	/	0.8	8	/	0.7	7	/									
175	1800	298dia				1.9	24	26	1.3	15	/	0.9	11	/	0.8	8	/	0.6	7	/												
	600					4.7	40	41	3.7	35	30	3.1	24	31	2.7	20	27	2.3	18	23	2.1	15	20	1.5	14	/						
	900					3.7	34	38	2.7	24	31	2.2	19	25	1.8	15	20	1.6	13	/	1.4	11	/	1.2	10	/	1.1	9	/			
175	1200	298dia				3.8	40	41	2.6	24	31	1.9	18	23	1.5	14	/	1.3	11	/	1.1	9	/	1.0	8	/	0.9	7	/			
	1500					2.9	30	35	2.0	19	25	1.5	14	/	1.2	10	/	1.0	9	/	0.8	7	/									
	1800					2.4	24	31	1.6	15	20	1.2	11	/	1.0	9	/	0.8	7	/												



SLD20 VERTICAL DISCHARGE DIFFUSER c/w SUPPLY SIDE ENTRY PLENUM (continued)

AIR VOL (l/s)	ACTIVE LENGTH	1-Slot		2-Slot		3-Slot		4-Slot		5-Slot		6-Slot		7-Slot		8-Slot		9-Slot		10-Slot												
		T	Pa	NR	T	Pa	NR	T	Pa	NR	T	Pa	NR	T	Pa	NR	T	Pa	NR	T	Pa	NR										
200	600									4.6	39	39	3.8	32	35	3.3	27	31	2.8	23	27	2.5	20	24	2.3	18	21					
	900									2.7	24	29	2.2	20	24	1.9	17	20	1.7	14	/	1.5	12	/	1.3	11	/					
	1200	298dia							3.4	32	35	2.4	23	27	1.9	14	/	1.3	12	/	1.2	10	/	1.0	9	/	0.9	8	/			
	1500		3.6	39	40	2.4	24	29	1.8	18	21	1.4	14	/	1.2	11	/	1.0	9	/	0.9	8	/	0.8	7	/						
	1800		2.9	32	35	1.9	20	24	1.5	14	/	1.2	11	/	1.0	9	/	0.8	8	/	0.7	7	/									
250	600												5.3	38	42	4.6	32	37	4.0	27	34	3.5	24	31	3.2	21	28					
	900									3.8	30	36	3.1	24	31	2.7	20	27	2.3	17	24	2.1	15	21	1.9	13	/					
	1200	348dia							3.3	27	34	2.6	21	28	2.2	17	23	1.9	14	20	1.6	12	/	1.5	11	/	1.3	10	/			
	1500								3.4	30	36	2.5	21	28	2.0	16	22	1.7	13	/	1.4	11	/	1.3	10	/	1.1	8	/	1.0	7	/
	1800		4.1	38	42	2.7	24	31	2.0	17	24	1.6	13	/	1.4	11	/	1.2	9	/	1.0	8	/	0.9	7	/						
300	600																				5.2	39	40	4.7	34	36	4.2	30	34			
	900												4.1	34	37	3.5	29	33	3.1	24	29	2.7	21	26	2.5	19	23					
	1200	348dia							4.3	39	40	3.5	30	34	2.9	24	29	2.5	20	25	2.2	18	21	1.9	15	/	1.7	14	/			
	1500								3.3	30	34	2.6	23	28	2.2	19	23	1.9	16	20	1.7	14	/	1.5	12	/	1.3	11	/			
	1800								3.6	34	37	2.7	24	29	2.1	19	23	1.8	15	20	1.5	13	/	1.3	11	/	1.2	10	/	1.1	9	/
400	900																				4.8	35	38	4.2	30	35	3.8	27	32			
	1200	398dia											4.4	35	38	3.8	29	34	3.3	25	30	3.0	22	27	2.7	19	24					
	1500									4.1	33	37	3.4	27	32	2.9	22	28	2.5	19	24	2.3	17	21	2.0	15	20					
	1800								4.1	35	38	3.3	27	32	2.8	22	27	2.4	18	23	2.1	16	20	1.8	14	/	1.7	12	/			
	900																				4.8	35	38	4.2	30	35	3.8	27	32			
500	1200												4.7	34	39	4.1	29	35	3.6	25	31	3.2	21	28	2.8	19	25					
	1500	448dia											4.7	34	39	4.1	29	35	3.6	25	31	3.2	21	28	2.8	19	25					
	1800									4.6	34	39	3.9	28	34	3.3	23	30	2.9	20	27	2.6	17	24	2.3	15	21					

Throw data (metres) is based on to a Terminal Velocity of 0.5m/s to give an average room air movement of 0.25m/s when fitted within a 2.7m high ceiling.

Sound Power Levels (NR) and Pressure Drops (Pa) applies to a fully opened Damper. The assumed room absorption is between 8-10dB.

Selection and tests are based on +/- 10°C.

/ indicates a value of less than 20.

Selections charts do not include for 2-Way (split) performance. Please contact our head office for full selections.

SLD20 SIDEWALL DISCHARGE c/w COANDA EFFECT DIFFUSER c/w SUPPLY SIDE ENTRY PLENUM

AIR VOL (l/s)	ACTIVE LENGTH	SPIGOT	1-Slot		2-Slot		3-Slot		4-Slot		5-Slot		6-Slot		7-Slot		8-Slot		9-Slot		10-Slot												
			T	Pa	NR	T	Pa	NR	T	Pa	NR	T	Pa	NR	T	Pa	NR	T	Pa	NR	T	Pa	NR	T	Pa	NR							
25	600	123dia	1.7	18	/	0.8	8	/																									
	900		1.0	11	/	0.5	5	/																									
	1200		0.7	8	/																												
50	600	148dia			2.4	23	21	1.6	14	/	1.2	10	/	0.9	8	/																	
	900		2.8	32	29	1.4	14	/	0.9	9	/	0.7	7	/																			
	1200		2.0	23	21	1.0	10	/	0.7	7	/	0.5	5	/																			
	1500		1.5	18	/	0.8	8	/	0.5	5	/																						
75	1800		1.2	14	/	0.6	7	/																									
	600		4.4	32	34	2.9	20	23	2.2	14	/	1.7	11	/	1.5	9	/	1.2	8	/													
	900		2.6	20	23	1.7	13	/	1.3	9	/	1.0	7	/	0.9	6	/																
	1200	3.6	32	34	1.8	14	/	1.2	9	/	0.9	7	/	0.7	5	/																	
100	1500		2.8	25	28	1.4	11	/	0.9	7	/	0.7	5	/																			
	1800		2.2	20	23	1.1	9	/	0.7	6	/																						
	600							4.5	25	32	3.4	18	24	2.7	14	/	2.2	11	/	1.9	9	/	1.7	8	/	1.5	7	/	1.3	6	/		
	900				4.0	25	32	2.6	15	21	2.0	11	/	1.6	9	/	1.3	7	/	1.1	6	/	1.0	5	/								
125	1200		2.8	18	24	1.8	11	/	1.4	8	/	1.1	6	/	0.9	5	/																
	1500		4.2	34	36	2.1	14	/	1.4	9	/	1.1	6	/	0.8	5	/																
	1800		3.4	25	32	1.7	11	/	1.1	7	/	0.9	5	/																			
	600							6.3	38	39	4.7	27	31	3.8	21	25	3.1	17	20	2.7	14	/	2.3	12	/	2.1	11	/	1.9	9	/		
150	900				5.5	38	39	3.7	24	28	2.8	17	21	2.2	13	/	1.8	11	/	1.6	9	/	1.4	8	/	1.2	7	/	1.1	6	/		
	1200				3.9	27	31	2.6	17	20	1.9	12	/	1.5	9	/	1.3	8	/	1.1	7	/	1.0	6	/								
	1500				3.0	21	25	2.0	13	/	1.5	9	/	1.2	7	/	1.0	6	/	0.8	5	/											
	1800		4.8	38	39	2.4	17	21	1.6	11	/	1.2	8	/	1.0	6	/	0.8	5	/													
175	600										6.2	39	37	4.9	30	31	4.1	24	26	3.5	20	22	3.1	17	/	2.7	15	/	2.5	13	/		
	900							4.8	34	34	3.6	26	24	2.9	19	20	2.4	15	/	2.1	13	/	1.8	11	/	1.6	10	/	1.5	8	/		
	1200				5.1	39	37	3.4	24	26	2.5	17	/	2.0	13	/	1.7	11	/	1.5	9	/	1.3	8	/	1.1	7	/	1.0	6	/		
	1500				3.9	30	31	2.6	19	20	2.0	13	/	1.6	10	/	1.3	8	/	1.1	7	/	1.0	6	/	0.9	5	/					
1800	1800				3.2	24	26	2.1	15	/	1.6	11	/	1.3	8	/	1.1	7	/	0.9	6	/											
	600										7.8	40	41	6.2	30	35	5.2	24	31	4.4	20	27	3.9	18	23	3.5	15	20	3.1	14	/		
	900							6.1	34	38	4.6	24	31	3.7	19	25	3.1	15	20	2.6	13	/	2.3	11	/	2.0	10	/	1.8	9	/		
	1200				6.4	40	41	4.3	24	31	3.2	18	23	2.6	14	/	2.1	11	/	1.8	9	/	1.6	8	/	1.4	7	/	1.3	6	/		
1800	1500				4.9	30	35	3.3	19	25	2.5	14	/	2.0	10	/	1.6	9	/	1.4	7	/	1.2	6	/	1.1	5	/					
	1800				4.0	31	24	2.7	15	20	2.0	11	/	1.6	9	/	1.3	7	/	1.1	6	/	1.0	5	/								

SLD20 SIDEWALL DISCHARGE c/w COANDA EFFECT DIFFUSER c/w SUPPLY SIDE ENTRY PLENUM (continued)

AIR VOL (l/s)	ACTIVE LENGTH	1-Slot			2-Slot			3-Slot			4-Slot			5-Slot			6-Slot			7-Slot			8-Slot			9-Slot			10-Slot									
		T	Pa	NR	T	Pa	NR	T	Pa	NR	T	Pa	NR	T	Pa	NR	T	Pa	NR	T	Pa	NR	T	Pa	NR	T	Pa	NR	T	Pa	NR							
200	600																																					
	900																																					
	1200				5.6	32	35	4.5	24	29	3.7	20	24	3.2	17	20	2.8	14	/	2.5	12	/	2.5	12	/	2.2	11	/										
	1500																																					
	1800				6.0	39	40	4.0	24	29	3.0	18	21	2.4	14	/	2.0	11	/	1.7	9	/	1.5	8	/	1.3	7	/	1.2	6	/							
250	600				4.9	32	35	3.2	20	24	2.4	14	/	1.9	11	/	1.6	9	/	1.4	8	/	1.2	7	/	1.1	6	/	1.0	5	/							
	900																																					
	1200																																					
	1500																																					
	1800																																					
300	600																																					
	900																																					
	1200																																					
	1500																																					
	1800																																					
400	600																																					
	900																																					
	1200																																					
	1500																																					
	1800																																					
500	600																																					
	900																																					
	1200																																					
	1500																																					
	1800																																					

Throw data (metres) is based on to a Terminal Velocity of 0.5m/s to give an average room air movement of 0.25m/s when fitted within a 2.7m high ceiling.

Sound Power Levels (NR) and Pressure Drops (Pa) applies to a fully opened Damper. The assumed room absorption is between 8-10dB.

Selection and tests are based on +/- 10°C.

/ indicates a value of less than 20.

Selections charts do not include for 2-Way (split) performance. Please contact our head office for full selections.

SLD20 EXTRACT DIFFUSER c/w SUPPLY SIDE ENTRY PLENUM

AIR VOL (l/s)	ACTIVE LENGTH	SPIGOT	1-Slot		2-Slot		3-Slot		4-Slot		5-Slot		6-Slot		7-Slot		8-Slot		9-Slot		10-Slot					
			Pa	NR	Pa	NR	Pa	NR	Pa	NR	Pa	NR	Pa	NR	Pa	NR	Pa	NR	Pa	NR	Pa	NR	Pa	NR		
25	600	123dia	18	21	8	/	5	/	5	/	5	/	5	/	5	/	5	/	5	/	5	/	5	/		
	900		11	/	5	/	5	/	5	/	5	/	5	/	5	/	5	/	5	/	5	/	5	/		
	1200		8	/	5	/	5	/	5	/	5	/	5	/	5	/	5	/	5	/	5	/	5	/	5	/
	1500		6	/	5	/	5	/	5	/	5	/	5	/	5	/	5	/	5	/	5	/	5	/	5	/
	1800		5	/	5	/	5	/	5	/	5	/	5	/	5	/	5	/	5	/	5	/	5	/	5	/
50	600	148dia			23	24	14	/	10	/	8	/	7	/	7	/	6	/	5	/	5	/	5	/		
	900		32	32	14	/	9	/	7	/	5	/	5	/	5	/	5	/	5	/	5	/	5	/		
	1200		23	24	10	/	7	/	5	/	5	/	5	/	5	/	5	/	5	/	5	/	5	/		
	1500		18	/	8	/	5	/	5	/	5	/	5	/	5	/	5	/	5	/	5	/	5	/		
	1800		14	/	7	/	5	/	5	/	5	/	5	/	5	/	5	/	5	/	5	/	5	/		
75	600	198dia			38	36	24	26	17	/	13	/	11	/	11	/	9	/	8	/	7	/	6	/		
	900				24	26	15	/	11	/	8	/	7	/	7	/	6	/	5	/	5	/	5	/		
	1200		38	36	17	/	11	/	8	/	6	/	5	/	5	/	5	/	5	/	5	/	5	/		
	1500		29	31	13	/	8	/	6	/	6	/	6	/	5	/	5	/	5	/	5	/	5	/		
	1800		24	26	11	/	7	/	5	/	5	/	5	/	5	/	5	/	5	/	5	/	5	/		
100	600	248dia					27	35	18	27	14	21	11	11	11	9	9	8	8	7	7	6	6			
	900				27	35	15	24	11	/	9	/	7	/	7	/	6	/	5	/	5	/	5	/		
	1200				18	27	11	/	8	/	6	/	5	/	5	/	5	/	5	/	5	/	5	/		
	1500		38	39	14	21	9	/	6	/	5	/	5	/	5	/	5	/	5	/	5	/	5	/		
	1800		27	35	11	/	7	/	5	/	5	/	5	/	5	/	5	/	5	/	5	/	5	/		
125	600	248dia					41	41	27	34	21	28	17	23	14	20	12	12	11	11	11	9	9			
	900				41	42	24	31	17	24	13	20	11	11	9	9	8	8	7	7	7	6	6			
	1200				27	34	17	23	12	/	9	/	8	/	7	/	6	/	6	/	5	/	5	/		
	1500				21	28	13	/	9	/	7	/	6	/	5	/	5	/	5	/	5	/	5	/		
	1800		41	42	17	24	11	/	8	/	6	/	5	/	5	/	5	/	5	/	5	/	5	/		
150	600	248dia							39	39	30	34	24	29	20	25	17	21	15	15	13	13				
	900						34	37	24	29	19	23	15	20	13	13	11	11	10	10	8	8				
	1200				39	39	24	29	17	21	13	/	11	/	9	/	8	/	8	/	7	/	6	/		
	1500				30	34	19	23	13	/	10	/	8	/	7	/	6	/	6	/	5	/	5	/		
	1800				24	29	15	20	11	/	8	/	7	/	6	/	6	/	5	/	5	/	5	/		
175	600	298dia							45	44	30	38	24	34	20	30	18	26	15	23	14	20				
	900						36	41	24	34	19	28	15	23	13	20	11	10	10	9	9	9				
	1200				45	44	24	34	18	26	14	20	11	/	9	/	8	/	7	/	6	/	6	/		
	1500				30	38	19	28	14	20	10	/	9	/	7	/	6	/	5	/	5	/	5	/		
	1800				24	34	15	23	11	/	9	/	7	/	6	/	6	/	5	/	5	/	5	/		

SLD20 EXTRACT DIFFUSER c/w SUPPLY SIDE ENTRY PLENUM (continued)

AIR VOL (l/s)	ACTIVE LENGTH	SPIGOT	1-Slot		2-Slot		3-Slot		4-Slot		5-Slot		6-Slot		7-Slot		8-Slot		9-Slot		10-Slot		
			Pa	NR	Pa	NR	Pa	NR	Pa	NR	Pa	NR	Pa	NR	Pa	NR	Pa	NR	Pa	NR	Pa	NR	Pa
200	600	298dia									39	42	32	38	27	34	23	30	20	27	18	24	
	900										24	32	20	27	17	23	14	20	12	12	11	11	11
	1200				32	38	23	30	18	24	14	20	11	17	12	12	10	10	10	9	9	8	8
	1500				39	42	24	32	18	24	14	20	11	17	9	9	8	8	8	7	7	6	6
	1800				32	38	20	27	14	20	11	11	9	11	8	8	7	7	7	6	6	5	5
250	600	348dia											41	44	32	40	27	37	24	34	21	31	
	900										30	39	24	34	20	30	17	21	15	23	13	21	
	1200				41	44	27	37	21	31	17	26	14	22	12	12	11	11	11	11	10	10	
	1500				30	39	21	31	16	25	13	21	11	10	10	10	8	8	8	8	7	7	
	1800				41	45	24	34	17	27	11	11	9	11	8	8	7	7	7	7	6	6	
300	600	348dia															39	42	34	39	30	37	
	900										42	44	34	40	29	36	24	32	21	29	19	26	
	1200										39	42	30	37	20	28	18	24	15	21	14	20	
	1500				42	44	30	37	23	31	19	26	16	22	14	20	12	14	20	12	12	11	
	1800				34	40	24	32	19	26	15	22	13	13	11	10	10	11	10	10	9	9	
400	600	398dia																			43	45	
	900																41	44	35	41	30	38	
	1200										43	45	35	41	29	37	25	33	22	30	19	27	
	1500										43	45	33	40	22	31	19	27	17	24	15	21	
	1800										35	41	27	35	18	26	16	23	14	20	12	12	
500	900	448dia																		39	45	34	
	1200																				28	37	
	1500										34	42	29	38	25	34	21	31	19	28	19	28	
	1800										34	42	23	33	20	30	17	26	15	24	15	24	

Throw data (metres) is based on to a Terminal Velocity of 0.5m/s to give an average room air movement of 0.25m/s when fitted within a 2.7m high ceiling.

Sound Power Levels (NR) and Pressure Drops (Pa) applies to a fully opened Damper. The assumed room absorption is between 8-10dB.

Selection and tests are based on +/- 10°C.

/ indicates a value of less than 20.

Selections charts do not include for 2-Way (split) performance. Please contact our head office for full selections.

SLD20 EXTRACT DIFFUSER FACE ONLY

AIR VOL (l/s)	ACTIVE LENGTH	1-Slot		2-Slot		3-Slot		4-Slot		5-Slot		6-Slot		7-Slot		8-Slot		9-Slot		10-Slot	
		Pa	NR	Pa	NR	Pa	NR	Pa	NR	Pa	NR	Pa	NR	Pa	NR	Pa	NR	Pa	NR	Pa	NR
25	600	16	21	5	/	5	/	5	/	5	/	5	/	5	/	5	/	5	/	5	/
	900	7	/	5	/	5	/	5	/	5	/	5	/	5	/	5	/	5	/	5	/
	1200	5	/	5	/	5	/	5	/	5	/	5	/	5	/	5	/	5	/	5	/
	1500	5	/	5	/	5	/	5	/	5	/	5	/	5	/	5	/	5	/	5	/
	1800	5	/	5	/	5	/	5	/	5	/	5	/	5	/	5	/	5	/	5	/
50	600			16	24	7	/	5	/	5	/	5	/	5	/	5	/	5	/	5	/
	900	27	32	7	/	5	/	5	/	5	/	5	/	5	/	5	/	5	/	5	/
	1200	16	24	5	/	5	/	5	/	5	/	5	/	5	/	5	/	5	/	5	/
	1500	10	/	5	/	5	/	5	/	5	/	5	/	5	/	5	/	5	/	5	/
	1800	7	/	5	/	5	/	5	/	5	/	5	/	5	/	5	/	5	/	5	/
75	600			34	36	16	26	9	20	5	/	5	/	5	/	5	/	5	/	5	/
	900			16	26	7	/	5	/	5	/	5	/	5	/	5	/	5	/	5	/
	1200	34	36	9	20	5	/	5	/	5	/	5	/	5	/	5	/	5	/	5	/
	1500	22	31	6	/	5	/	5	/	5	/	5	/	5	/	5	/	5	/	5	/
	1800	16	26	5	/	5	/	5	/	5	/	5	/	5	/	5	/	5	/	5	/
100	600					27	35	16	27	10	21	7	/	6	/	5	/	5	/	5	/
	900			27	35	13	24	7	/	5	/	5	/	5	/	5	/	5	/	5	/
	1200			16	27	7	/	5	/	5	/	5	/	5	/	5	/	5	/	5	/
	1500	38	39	10	21	5	/	5	/	5	/	5	/	5	/	5	/	5	/	5	/
	1800	27	35	7	/	5	/	5	/	5	/	5	/	5	/	5	/	5	/	5	/
125	600					41	41	24	34	16	28	11	23	8	20	7	/	5	/	5	/
	900			41	42	19	31	11	24	7	20	5	/	5	/	5	/	5	/	5	/
	1200			24	34	11	23	7	/	5	/	5	/	5	/	5	/	5	/	5	/
	1500			16	28	7	/	5	/	5	/	5	/	5	/	5	/	5	/	5	/
	1800	41	42	11	24	5	/	5	/	5	/	5	/	5	/	5	/	5	/	5	/
150	600							34	39	22	34	16	29	12	25	9	21	7	/	6	/
	900					27	37	16	29	10	23	7	20	6	/	5	/	5	/	5	/
	1200			34	39	16	29	9	21	6	/	5	/	5	/	5	/	5	/	5	/
	1500			22	34	10	23	6	/	5	/	5	/	5	/	5	/	5	/	5	/
	1800			16	29	7	20	5	/	5	/	5	/	5	/	5	/	5	/	5	/
175	600							45	44	30	38	21	34	16	30	12	26	10	23	8	20
	900					36	41	21	34	14	28	10	23	7	20	6	/	5	/	5	/
	1200			45	44	21	34	12	26	8	20	6	/	5	/	5	/	5	/	5	/
	1500			30	38	14	28	8	20	5	/	5	/	5	/	5	/	5	/	5	/
	1800			21	34	10	23	5	/	5	/	5	/	5	/	5	/	5	/	5	/

SLD20 EXTRACT DIFFUSER FACE ONLY (continued)

AIR VOL (l/s)	ACTIVE LENGTH	1-Slot		2-Slot		3-Slot		4-Slot		5-Slot		6-Slot		7-Slot		8-Slot		9-Slot		10-Slot				
		Pa	NR	Pa	NR	Pa	NR	Pa	NR	Pa	NR	Pa	NR	Pa	NR	Pa	NR	Pa	NR	Pa	NR			
200	600									38	42	27	38	34	20	34	16	30	13	27	10	24		
	900					27	38			18	32	13	27	10	23	7	20	6	/	5	/	/		
	1200			27	38					10	24	7	20	6	/	5	5	/	5	/	5	/	/	
	1500			18	32					7	/	5	/	5	/	5	5	/	5	/	5	/	/	
	1800			27	38					5	/	5	/	5	/	5	5	/	5	/	5	/	/	
250	600											41	44	31	40	24	37	19	34	16	31	31		
	900					41	45			27	39	19	34	14	30	11	27	9	23	7	21	21		
	1200			41	44					16	31	11	26	8	22	7	20	5	/	5	/	/		
	1500			27	39					10	25	7	21	6	/	5	5	/	5	/	5	/	/	
	1800			41	45					7	21	5	/	5	/	5	5	/	5	/	5	/	/	
300	600															34	42	27	39	22	37	37		
	900									38	44	27	40	20	36	16	32	13	29	10	26	26		
	1200					34	42			22	37	16	32	12	28	9	24	7	21	6	20	20		
	1500			38	44					15	31	10	26	8	22	6	20	5	/	5	/	/		
	1800			27	40					10	26	7	22	6	/	5	5	/	5	/	5	/	/	
400	600																						38	
	900															35	44	27	41	22	38	18	45	
	1200									38	45	27	41	20	37	16	33	13	30	10	27	35	35	
	1500					38	45			25	40	18	35	13	31	10	27	8	24	7	21	27	27	
	1800					27	41			18	35	13	30	10	26	7	23	6	20	5	5	41	41	
500	900																							32
	1200															30	43	23	40	19	36	15	44	
	1500											26	41	20	37	15	34	12	31	10	28	36	34	
	1800									26	41	19	37	14	33	11	29	9	26	7	23	26	23	

Throw data (metres) is based on to a Terminal Velocity of 0.5m/s to give an average room air movement of 0.25m/s when fitted within a 2.7m high ceiling.

Sound Power Levels (NR) and Pressure Drops (Pa) applies to a fully opened Damper. The assumed room absorption is between 8-10dB.

Selection and tests are based on +/- 10°C.

/ indicates a value of less than 20.

Selections charts do not include for 2-Way (split) performance. Please contact our head office for full selections.

SLD25 1-WAY HORIZONTAL DISCHARGE DIFFUSER c/w SUPPLY SIDE ENTRY PLENUM

AIR VOL (l/s)	ACTIVE LENGTH	SPIGOT	1-Slot		2-Slot		3-Slot		4-Slot		5-Slot		6-Slot		7-Slot		8-Slot		9-Slot		10-Slot												
			T	Pa	NR	T	Pa	NR	T	Pa	NR	T	Pa	NR	T	Pa	NR	T	Pa	NR	T	Pa	NR	T	Pa	NR							
25	600	123dia	2.5	24	27	1.3	11	/	0.8	7	/	0.6	5	/																			
	900		1.5	15	/	0.7	7	/	0.5	4	/																						
	1200		1.0	11	/	0.5	5	/																									
50	600	148dia				3.6	31	30	2.4	19	20	1.8	14	/	1.2	9	/	1.0	7	/													
	900			2.1	19	20	1.4	12	/	1.1	9	/	0.8	7	/																		
	1200		3.0	31	30	1.5	14	/	1.0	9	/	0.7	6	/																			
	1500		2.3	24	24	1.1	11	/	0.8	7	/	0.6	5	/																			
75	1800		1.8	19	20	0.9	9	/	0.6	6	/	0.5	4	/																			
	600								4.4	27	31	3.3	19	24	2.6	15	/	2.2	12	/	1.9	10	/	1.6	9	/							
	900				3.9	27	32	2.6	17	21	1.9	12	/	1.6	9	/	1.3	8	/	1.1	6	/	1.0	6	/	0.9	5	/					
	1200				2.7	19	24	1.8	12	/	1.4	9	/	1.1	7	/	0.9	6	/	0.8	5	/											
100	1500		4.2	33	36	2.1	15	/	1.4	9	/	1.0	7	/	0.8	5	/																
	1800		3.4	27	32	1.7	12	/	1.1	8	/	0.8	6	/																			
	600								6.8	40	40	5.1	24	33	4.1	18	27	3.4	15	22	2.9	12	/	2.5	11	/	2.3	9	/	2.0	8	/	
	900								4.0	21	30	3.0	15	22	2.4	11	/	2.0	9	/	1.7	8	/	1.5	7	/	1.3	6	/				
125	1200				4.2	24	33	2.8	15	22	2.1	11	/	1.7	8	/	1.4	7	/	1.2	6	/	1.0	5	/								
	1500				3.2	18	27	2.1	11	/	1.6	8	/	1.3	6	/	1.1	5	/														
	1800		5.2	40	40	2.6	15	22	1.7	9	/	1.3	7	/	1.0	5	/																
	600											7.1	37	39	5.7	28	34	4.7	23	29	4.1	19	25	3.5	16	21	3.2	14	/	2.8	13	/	
150	900								5.6	32	37	4.2	23	29	3.3	18	23	2.8	14	/	2.4	12	/	2.1	10	/	1.9	9	/	1.7	8	/	
	1200								3.9	23	29	2.9	16	21	2.3	13	/	2.0	10	/	1.7	7	/	1.5	7	/	1.3	7	/	1.2	6	/	
	1500				4.5	28	34	3.0	18	23	2.2	13	/	1.8	10	/	1.5	8	/	1.3	7	/	1.1	6	/	1.0	5	/					
	1800				3.6	23	29	2.4	14	/	1.8	10	/	1.5	8	/	1.2	7	/	0.9	5	/											
175	600											7.5	40	39	6.2	33	34	6.2	33	34	5.3	27	30	4.7	23	27	4.1	20	24	3.7	18	21	
	900											5.5	33	35	4.4	25	29	3.7	20	24	3.1	17	20	2.8	15	/	2.4	13	/	2.2	11	/	
	1200								5.1	33	34	3.8	23	27	3.1	18	21	2.6	15	/	2.2	12	/	1.9	10	/	1.7	9	/	1.5	8	/	
	1500				5.9	40	39	3.9	25	29	2.9	18	21	2.4	14	/	2.0	11	/	1.6	9	/	1.4	8	/	1.3	7	/	1.2	6	/		
175	1800				4.8	33	35	3.2	20	24	2.4	15	/	1.9	11	/	1.6	9	/	1.4	8	/	1.2	7	/	1.1	6	/	1.0	5	/		
	600																	7.8	33	39	6.7	27	35	5.9	24	32	5.2	21	29	4.7	18	26	
	900											6.9	33	39	5.5	25	34	4.6	21	29	4.0	17	25	3.5	15	21	3.1	13	/	2.8	11	/	
	1200								6.5	33	39	4.8	24	32	3.9	18	26	3.2	15	21	2.8	12	/	2.4	11	/	2.2	9	/	1.9	8	/	
175	1500								5.0	33	25	3.7	18	26	3.0	14	20	2.5	11	/	2.1	10	/	1.9	8	/	1.7	7	/	1.5	6	/	
	1800				6.0	33	39	4.0	21	29	3.0	15	21	2.4	11	/	2.0	9	/	1.5	7	/	1.3	5	/	1.3	5	/	1.2	5	/		



SLD25 1-WAY HORIZONTAL DISCHARGE DIFFUSER c/w SUPPLY SIDE ENTRY PLENUM (continued)

AIR VOL (l/s)	ACTIVE LENGTH	1-Slot			2-Slot			3-Slot			4-Slot			5-Slot			6-Slot			7-Slot			8-Slot			9-Slot			10-Slot			
		T	Pa	NR	T	Pa	NR	T	Pa	NR	T	Pa	NR	T	Pa	NR	T	Pa	NR	T	Pa	NR	T	Pa	NR	T	Pa	NR	T	Pa	NR	
200	600																															
	900																															
	1200																															
	1500																															
	1800																															
250	600																															
	900																															
	1200																															
	1500																															
	1800																															
300	600																															
	900																															
	1200																															
	1500																															
	1800																															
400	900																															
	1200																															
	1500																															
	1800																															
	900																															
500	1200																															
	1500																															
	1800																															
	900																															
	1200																															

Throw data (metres) is based on to a Terminal Velocity of 0.5m/s to give an average room air movement of 0.25m/s when fitted within a 2.7m high ceiling.

Sound Power Levels (NR) and Pressure Drops (Pa) applies to a fully opened Damper. The assumed room absorption is between 8-10dB.

Selection and tests are based on +/- 10°C.

/ indicates a value of less than 20.

Selections charts do not include for 2-Way (split) performance. Please contact our head office for full selections.

SLD25 VERTICAL DISCHARGE DIFFUSER c/w SUPPLY SIDE ENTRY PLENUM

AIR VOL (l/s)	ACTIVE LENGTH	SPIGOT	1-Slot		2-Slot		3-Slot		4-Slot		5-Slot		6-Slot		7-Slot		8-Slot		9-Slot		10-Slot											
			T	Pa	NR	T	Pa	NR	T	Pa	NR	T	Pa	NR	T	Pa	NR	T	Pa	NR	T	Pa	NR	T	Pa	NR						
25	600	123dia	0.9	15	/	0.5	7	/																								
	900		0.6	10	/																											
	1200		0.4	7	/																											
50	600	148dia	2.6	44	37	1.3	20	20	0.9	12	/	0.7	9	/	0.5	7	/															
	900		1.6	27	26	0.8	12	/	0.5	8	/																					
	1200		1.1	20	20	0.5	9	/																								
	1500		0.8	15	/	0.4	7	/																								
75	600	198dia	0.7	12	/																											
	900		2.4	27	31	1.6	17	20	1.2	12	/	1.0	9	/	0.8	8	/	0.7	7	/												
	1200		2.9	42	39	1.4	17	21	1.0	11	/	0.7	8	/	0.6	6	/															
	1500		2.0	27	31	1.0	12	/	0.7	8	/	0.5	6	/																		
100	600	248dia	1.5	21	25	0.8	9	/	0.5	6	/																					
	900		1.2	17	21	0.6	8	/																								
	1200		2.2	30	29	1.5	19	20	1.1	13	/	0.9	10	/	0.7	8	/	1.2	13	/	1.1	11	/	0.9	10	/	0.8	8	/	0.7	7	/
	1500		1.5	21	22	1.0	13	/	0.8	10	/	0.6	8	/																		
125	600	248dia	2.4	37	34	1.2	16	/	0.8	10	/	0.6	8	/																		
	900		1.9	30	29	1.0	13	/	0.6	8	/																					
	1200		3.1	32	36	2.1	20	26	1.5	14	18	1.2	11	/	1.0	9	/	1.3	10	/	1.1	11	/	0.9	8	/	0.8	7	/			
	1500		2.2	23	28	1.4	14	18	1.1	10	/	0.9	8	/	0.7	7	/	1.2	14	20	1.5	12	/	1.2	10	/	1.0	9	/			
150	600	248dia	2.7	46	36	1.3	14	/	0.9	9	/	0.7	7	/	0.5	5	/															
	900		3.4	33	34	2.7	29	31	2.0	21	24	1.6	16	20	1.3	13	/	2.3	21	23	2.0	17	20	1.7	15	/	1.5	13	/	1.4	11	/
	1200		2.8	33	34	1.9	21	23	1.4	15	/	1.1	11	/	0.9	9	/	1.0	9	13	1.2	11	/	1.0	9	/	0.9	8	/	0.8	7	/
	1500		2.2	25	28	1.4	16	/	1.1	11	/	0.9	9	/	0.7	7	/	1.1	11	13	0.9	8	/	0.8	8	/	0.7	7	/			
175	600	298dia	3.5	46	42	1.8	21	24	1.2	13	/	0.9	9	/	0.7	7	/	0.6	6	/												
	900		4.3	33	39	3.5	26	33	2.9	21	28	2.5	17	24	2.2	15	21	1.9	13	20	2.5	17	24	2.2	15	21	1.9	13	20	1.7	12	/
	1200		3.4	29	36	2.6	21	28	2.0	16	23	1.7	13	20	1.5	11	/	1.3	9	13	1.5	11	/	1.3	9	/	1.1	8	/	1.0	7	/
	1500		3.6	33	39	2.4	21	28	1.8	15	21	1.4	12	/	1.2	9	/	1.0	8	13	1.0	8	/	0.9	7	/	0.8	6	/			
1800	2.7	26	33	1.8	16	22	1.4	12	/	1.1	9	/	0.9	7	/	0.8	6	13	0.9	7	/	0.8	6	/								
1800	2.2	21	28	1.5	13	/	1.1	9	/	0.9	7	/	0.7	6	/																	

SLD25 VERTICAL DISCHARGE DIFFUSER c/w SUPPLY SIDE ENTRY PLENUM (continued)

AIR VOL (l/s)	ACTIVE LENGTH	SPIGOT	1-Slot		2-Slot		3-Slot		4-Slot		5-Slot		6-Slot		7-Slot		8-Slot		9-Slot		10-Slot										
			T	Pa	NR	T	Pa	NR	T	Pa	NR	T	Pa	NR	T	Pa	NR	T	Pa	NR	T	Pa	NR	T	Pa	NR					
200	600								5.3	43	43	4.2	33	37	3.5	27	32	3.0	23	28	2.6	19	25	2.3	17	22	2.1	15	20		
	900						4.2	38	40	3.1	27	32	2.5	21	27	2.1	17	22	1.8	14	20	1.6	12		1.4	11		1.2	9		
	1200	298dia							4.4	43	43	2.9	27	32	2.2	19	25	1.7	15	20	1.5	12		1.1	9		1.0	8		0.9	7
	1500								3.3	33	37	2.2	21	26	1.7	15	20	1.3	12		1.1	9		0.8	7		0.7	6			
	1800								2.7	27	32	1.8	17	22	1.4	12		1.1	9		0.9	8		0.8	6		0.7	6			
250	600											5.9	42	44	4.9	33	39	4.2	27	35	3.7	23	32	3.3	20	28	3.0	18	26		
	900								4.4	33	39	3.5	25	33	2.9	20	29	2.5	17	25	2.2	15	21	1.9	13	20	1.7	11			
	1200	348dia							4.1	33	39	3.0	23	31	2.4	18	26	2.0	15	21	1.7	12		1.5	11		1.4	9		1.2	8
	1500								4.7	42	44	3.1	25	33	2.3	18	26	1.9	14	20	1.6	11		1.3	9		1.0	7		0.9	6
	1800								3.8	33	39	2.5	20	29	1.9	15	21	1.5	11		1.3	9		1.1	8		0.8	6			
300	600																	5.5	39	41	4.9	33	37	4.3	29	34	3.9	26	31		
	900											4.6	36	39	3.8	29	34	3.3	24	30	2.9	21	27	2.5	18	24	2.3	16	21		
	1200	348dia							4.0	33	37	3.2	26	31	2.7	21	26	2.3	17	22	2.0	15	20	1.8	13		1.6	12			
	1500								4.1	36	39	3.1	25	30	2.5	20	25	2.0	16	21	1.8	13		1.5	12		1.4	10		1.2	9
	1800								3.3	29	34	2.5	21	27	2.0	16	21	1.7	13		1.4	12		1.2	9		1.1	8		1.0	7
400	600																							6.6	41	43	6.0	37	40		
	900											5.9	41	43	5.0	35	39	4.4	30	35	3.9	32	37	3.9	32	26	3.5	23	30		
	1200	398dia										4.9	37	40	4.1	30	35	3.5	25	31	3.1	21	28	2.7	18	25	2.5	16	22		
	1500								4.7	37	40	3.8	28	34	3.2	23	29	2.7	19	25	2.4	16	22	2.1	14		1.9	13			
	1800								5.1	41	43	3.8	30	35	3.1	23	30	2.6	18	25	2.2	15	21	1.9	13		1.7	12		1.5	10
500	900																						6.2	38	42	5.5	33	39	4.9	29	36
	1200	448dia																4.9	32	38	4.3	27	35	3.8	24	31	3.4	21	29		
	1500											5.3	36	41	4.4	29	36	3.8	24	32	3.3	21	29	2.9	18	26	2.6	16	20		
	1800								5.4	38	42	4.3	29	36	3.6	24	32	3.1	20	28	2.7	17	24	2.4	15	21	2.1	13			

Throw data (metres) is based on to a Terminal Velocity of 0.5m/s to give an average room air movement of 0.25m/s when fitted within a 2.7m high ceiling.

Sound Power Levels (NR) and Pressure Drops (Pa) applies to a fully opened Damper. The assumed room absorption is between 8-10dB.

Selection and tests are based on +/- 10°C.

/ indicates a value of less than 20.

Selections charts do not include for 2-Way (split) performance. Please contact our head office for full selections.

SLD25 SIDEWALL DISCHARGE c/w COANDA EFFECT DIFFUSER c/w SUPPLY SIDE ENTRY PLENUM

AIR VOL (l/s)	ACTIVE LENGTH	SPIGOT	1-Slot		2-Slot		3-Slot		4-Slot		5-Slot		6-Slot		7-Slot		8-Slot		9-Slot		10-Slot							
			T	Pa	NR	T	Pa	NR	T	Pa	NR	T	Pa	NR	T	Pa	NR	T	Pa	NR	T	Pa	NR	T	Pa	NR		
25	600	123dia	1.6	15	/	0.8	7	/																				
	900		0.9	10	/	0.5	5	/																				
	1200		0.6	7	/																							
50	600	148dia	4.4	44	37	2.2	20	20	1.5	12	/	1.1	9	/	0.9	7	/											
	900		2.6	27	26	1.3	12	/	0.9	8	/	0.6	6	/														
	1200		1.8	20	20	0.9	9	/	0.6	6	/	0.5	4	/														
	1500		1.4	15	/	0.7	7	/	0.5	4	/																	
75	1800	1.1	12	/	0.6	6	/																					
	600	4.0	27	31	2.7	17	20	2.0	12	/	1.3	8	/	1.2	7	/												
	900	4.8	42	39	2.4	17	21	1.6	11	/	1.2	8	/	1.0	6	/	0.8	5	/									
	1200	3.3	27	31	1.7	12	/	1.1	8	/	0.8	6	/	0.7	4	/												
	1500	2.6	21	25	1.3	9	/	0.9	6	/	0.6	4	/															
	1800	2.1	17	21	1.0	8	/	0.7	5	/																		
100	600	6.2	42	40	4.2	21	29	3.1	15	22	2.5	12	/	2.1	9	/	1.8	8	/	1.6	7	/	1.4	6	/	1.2	5	/
	900	3.7	21	29	2.4	13	20	1.8	9	/	1.5	7	/	1.2	6	/	1.0	5	/	0.9	4	/						
	1200	5.1	42	40	2.6	15	22	1.7	9	/	1.3	7	/	1.0	5	/												
	1500	3.9	27	34	2.0	12	/	1.3	7	/	1.0	5	/	0.8	4	/												
	1800	3.2	21	29	1.6	9	/	1.1	6	/	0.8	4	/															
	600	5.8	32	36	4.4	23	28	3.5	18	23	2.9	14	/	2.1	9	/	1.8	8	/	1.6	7	/	1.4	6	/	1.2	5	/
125	900	5.1	32	36	3.4	20	26	2.6	14	20	2.1	11	/	1.7	9	/	1.5	8	/	1.3	7	/	1.1	6	/	1.0	5	/
	1200	3.6	23	28	2.4	14	20	1.8	10	/	1.4	8	/	1.2	7	/	1.0	6	/	0.9	5	/						
	1500	5.5	42	41	2.8	18	23	1.8	11	/	1.4	8	/	1.1	6	/	0.9	5	/									
	1800	4.5	32	36	2.2	14	/	1.5	9	/	1.1	7	/	0.9	5	/												
	600	7.6	46	42	5.7	33	34	4.6	25	28	3.8	21	23	3.3	17	20	2.9	15	/	2.5	13	/	2.3	11	/			
	900	4.5	29	31	3.4	21	24	2.7	16	20	2.2	13	/	1.9	11	/	1.7	9	/	1.5	8	/	1.3	7	/			
150	1200	4.7	33	34	3.1	21	23	2.4	15	/	1.9	11	/	1.6	9	/	1.3	8	/	1.2	7	/	1.0	6	/	0.9	5	/
	1500	3.6	25	28	2.4	16	/	1.8	10	/	1.4	9	/	1.2	7	/	1.0	6	/	0.9	5	/						
	1800	2.9	21	24	2.0	13	/	1.5	9	/	1.2	7	/	1.0	6	/	0.8	5	/									
	600	7.2	33	39	5.8	26	33	4.8	21	28	3.8	21	28	3.3	17	24	3.6	15	21	3.2	13	/	3.2	13	/	2.9	12	/
175	900	5.7	29	36	4.3	21	28	3.4	16	23	2.8	13	20	2.4	11	/	2.1	9	/	1.9	8	/	1.7	7	/			
	1200	5.9	33	39	4.0	21	28	3.0	15	21	2.4	12	/	2.0	9	/	1.7	8	/	1.5	7	/	1.3	6	/	1.2	5	/
	1500	4.6	26	33	3.0	16	22	2.3	12	/	1.8	9	/	1.5	7	/	1.3	6	/	1.1	5	/						
	1800	3.7	21	28	2.5	13	/	1.8	9	/	1.5	7	/	1.2	6	/	1.1	5	/									
	600	7.2	33	39	5.8	26	33	4.8	21	28	3.8	21	28	3.3	17	24	3.6	15	21	3.2	13	/	3.2	13	/	2.9	12	/

SLD25 SIDEWALL DISCHARGE c/w COANDA EFFECT DIFFUSER c/w SUPPLY SIDE ENTRY PLENUM (continued)

AIR VOL (l/s)	ACTIVE LENGTH	1-Slot			2-Slot			3-Slot			4-Slot			5-Slot			6-Slot			7-Slot			8-Slot			9-Slot			10-Slot			
		T	Pa	NR	T	Pa	NR	T	Pa	NR	T	Pa	NR	T	Pa	NR	T	Pa	NR	T	Pa	NR	T	Pa	NR	T	Pa	NR	T	Pa	NR	
200	600																															
	900																															
	1200		7.3	43	43	6.9	38	40	5.2	27	32	3.6	19	25	2.9	15	20	2.4	12		2.1	10		1.8	9		1.6	8		1.5	7	
	1500		5.6	33	37	3.7	21	26	2.8	15	20	2.2	12		1.9	9		1.9	9		1.6	8		1.4	7		1.2	6		1.1	5	
	1800		4.5	27	32	3.0	17	22	2.3	12					1.8	9		1.5	8		1.3	6		1.1	6		1.0	5		0.9	4	
250	600																															
	900																															
	1200								7.3	33	39	5.1	23	31	4.1	18	26	3.4	15		2.9	12		2.5	11		2.3	9		2.0	8	
	1500		7.8	42	44	5.2	25	33	3.9	18	26	3.1	14	20	2.6	11		2.6	11		2.2	9		1.9	8		1.7	7		1.6	6	
	1800		6.3	33	39	4.2	20	29	3.2	15	21	2.5	11		2.1	9		2.1	9		1.8	8		1.6	7		1.4	6		1.3	5	
300	600																															
	900																															
	1200																															
	1500																															
	1800																															
400	600																															
	900																															
	1200																															
	1500																															
	1800																															
500	600																															
	900																															
	1200																															
	1500																															
	1800																															

Throw data (metres) is based on to a Terminal Velocity of 0.5m/s to give an average room air movement of 0.25m/s when fitted within a 2.7m high ceiling.

Sound Power Levels (NR) and Pressure Drops (Pa) applies to a fully opened Damper. The assumed room absorption is between 8-10dB.

Selection and tests are based on +/- 10°C.

/ indicates a value of less than 20.

Selections charts do not include for 2-Way (split) performance. Please contact our head office for full selections.

SLD25 EXTRACT DIFFUSER c/w SUPPLY SIDE ENTRY PLENUM

AIR VOL (l/s)	ACTIVE LENGTH	SPIGOT	1-Slot		2-Slot		3-Slot		4-Slot		5-Slot		6-Slot		7-Slot		8-Slot		9-Slot		10-Slot			
			Pa	NR	Pa	NR	Pa	NR	Pa	NR	Pa	NR	Pa	NR	Pa	NR	Pa	NR	Pa	NR	Pa	NR	Pa	NR
25	600	123dia	15	/	7	/	5	/	5	/	5	/	5	/	5	/	5	/	5	/	5	/	5	/
	900		10	/	5	/	5	/	5	/	5	/	5	/	5	/	5	/	5	/	5	/	5	/
	1200		7	/	5	/	5	/	5	/	5	/	5	/	5	/	5	/	5	/	5	/	5	/
	1500		5	/	5	/	5	/	5	/	5	/	5	/	5	/	5	/	5	/	5	/	5	/
	1800		5	/	5	/	5	/	5	/	5	/	5	/	5	/	5	/	5	/	5	/	5	/
50	600	148dia	47	37	20	20	12	/	9	/	7	/	6	/	5	/	5	/	5	/	5	/	5	/
	900		27	26	12	/	8	/	6	/	5	/	5	/	5	/	5	/	5	/	5	/	5	/
	1200		20	/	9	/	6	/	5	/	5	/	5	/	5	/	5	/	5	/	5	/	5	/
	1500		15	/	7	/	5	/	5	/	5	/	5	/	5	/	5	/	5	/	5	/	5	/
	1800		12	/	6	/	5	/	5	/	5	/	5	/	5	/	5	/	5	/	5	/	5	/
75	600	198dia			27	31	17	20	12	/	9	/	8	/	8	/	7	/	6	/	5	/	5	/
	900		47	39	17	21	11	/	8	/	6	/	5	/	5	/	5	/	5	/	5	/	5	/
	1200		27	31	12	/	8	/	6	/	5	/	5	/	5	/	5	/	5	/	5	/	5	/
	1500		21	25	9	/	6	/	5	/	5	/	5	/	5	/	5	/	5	/	5	/	5	/
	1800		17	20	8	/	5	/	5	/	5	/	5	/	5	/	5	/	5	/	5	/	5	/
100	600	248dia			48	40	30	29	21	22	16	/	13	/	13	/	11	/	10	/	8	/	8	/
	900				30	29	19	20	13	/	10	/	8	/	8	/	7	/	6	/	5	/	5	/
	1200		48	40	21	22	13	/	10	/	8	/	6	/	6	/	5	/	5	/	5	/	5	/
	1500		37	34	16	/	10	/	8	/	6	/	5	/	5	/	5	/	5	/	5	/	5	/
	1800		30	29	13	/	8	/	6	/	5	/	5	/	5	/	5	/	5	/	5	/	5	/
125	600	248dia					33	36	23	28	18	22	14	20	14	20	12	/	10	/	9	/	8	/
	900				33	36	20	25	14	20	11	/	9	/	9	/	8	/	7	/	6	/	5	/
	1200				23	28	14	20	10	/	8	/	7	/	7	/	6	/	5	/	5	/	5	/
	1500		47	41	18	23	11	/	8	/	6	/	5	/	5	/	5	/	5	/	5	/	5	/
	1800		33	36	14	20	9	/	7	/	5	/	5	/	5	/	5	/	5	/	5	/	5	/
150	600	248dia					47	41	33	34	25	28	21	23	21	17	20	15	/	13	/	11	/	
	900				47	42	29	31	21	24	16	20	13	/	9	/	11	/	9	/	8	/	7	/
	1200				33	34	21	23	15	/	11	/	9	/	7	/	8	/	7	/	6	/	5	/
	1500				25	28	16	/	11	/	9	/	7	/	7	/	6	/	5	/	5	/	5	/
	1800		47	42	21	24	13	/	9	/	7	/	6	/	6	/	5	/	5	/	5	/	5	/
175	600	298dia							36	39	26	33	21	28	17	24	15	20	13	/	12	/	/	
	900						29	36	21	28	16	22	13	20	11	/	9	/	8	/	7	/	/	
	1200				36	39	21	28	15	20	12	/	9	/	8	/	7	/	6	/	5	/	/	
	1500				26	33	16	22	12	/	9	/	7	/	6	/	5	/	5	/	5	/	/	
	1800				21	28	13	/	9	/	7	/	6	/	5	/	5	/	5	/	5	/	/	

SLD25 EXTRACT DIFFUSER c/w SUPPLY SIDE ENTRY PLENUM (continued)

AIR VOL (l/s)	ACTIVE LENGTH	SPIGOT	1-Slot		2-Slot		3-Slot		4-Slot		5-Slot		6-Slot		7-Slot		8-Slot		9-Slot		10-Slot	
			Pa	NR	Pa	NR	Pa	NR	Pa	NR	Pa	NR	Pa	NR	Pa	NR	Pa	NR	Pa	NR	Pa	NR
200	600								47	43	37	37	27	32	23	28	19	25	17	21	15	20
	900								27	32	21	26	17	22	14	/	12	/	11	/	9	/
	1200	298dia			38	40			47	43	32	21	26	17	22	/	12	/	11	/	9	/
	1500								33	37	21	26	15	20	12	/	9	/	8	/	7	/
	1800								27	32	17	22	8	9	9	/	7	/	6	/	5	/
250	600								42	39	32	33	42	39	35	35	30	31	26	28	23	25
	900								42	39	32	33	26	28	22	24	19	21	16	/	14	/
	1200	348dia			42	39	31	23	30	31	23	25	19	21	16	/	13	/	12	/	10	/
	1500								32	33	26	20	14	20	14	/	10	/	9	/	8	/
	1800								42	39	26	28	12	14	12	/	8	/	7	/	7	/
300	600																					
	900																					
	1200	348dia			47	44	37	26	33	37	26	31	21	26	17	22	15	20	13	/	12	/
	1500								36	39	26	31	20	25	16	20	12	12	10	10	9	/
	1800								47	45	29	34	21	27	16	21	9	9	8	8	7	/
400	600																					
	900																					
	1200	398dia			48	46	46	37	48	46	37	40	30	35	25	31	21	28	18	24	16	22
	1500								37	40	28	34	23	29	19	25	16	22	14	20	13	/
	1800								41	43	30	35	23	29	18	25	13	13	12	12	10	/
500	600																					
	900																					
	1200	448dia			47	47	47	36	47	47	36	41	29	36	24	32	21	29	18	25	16	23
	1500								38	42	29	36	24	29	20	27	17	24	15	21	13	/
	1800																					

Throw data (metres) is based on to a Terminal Velocity of 0.5m/s to give an average room air movement of 0.25m/s when fitted within a 2.7m high ceiling.

Sound Power Levels (NR) and Pressure Drops (Pa) applies to a fully opened Damper. The assumed room absorption is between 8-10dB.

Selection and tests are based on +/- 10°C.

/ indicates a value of less than 20.

Selections charts do not include for 2-Way (split) performance. Please contact our head office for full selections.

SLD25 EXTRACT DIFFUSER FACE ONLY

AIR VOL (l/s)	ACTIVE LENGTH	1-Slot		2-Slot		3-Slot		4-Slot		5-Slot		6-Slot		7-Slot		8-Slot		9-Slot		10-Slot	
		Pa	NR	Pa	NR	Pa	NR	Pa	NR	Pa	NR	Pa	NR	Pa	NR	Pa	NR	Pa	NR	Pa	NR
25	600	15	/	5	/	5	/	5	/	5	/	5	/	5	/	5	/	5	/	5	/
	900	5	/	5	/	5	/	5	/	5	/	5	/	5	/	5	/	5	/	5	/
	1200	5	/	5	/	5	/	5	/	5	/	5	/	5	/	5	/	5	/	5	/
	1500	5	/	5	/	5	/	5	/	5	/	5	/	5	/	5	/	5	/	5	/
	1800	5	/	5	/	5	/	5	/	5	/	5	/	5	/	5	/	5	/	5	/
50	600	47	37	13	20	6	/	5	/	5	/	5	/	5	/	5	/	5	/	5	/
	900	22	26	6	/	5	/	5	/	5	/	5	/	5	/	5	/	5	/	5	/
	1200	13	20	5	/	5	/	5	/	5	/	5	/	5	/	5	/	5	/	5	/
	1500	8	/	5	/	5	/	5	/	5	/	5	/	5	/	5	/	5	/	5	/
	1800	6	/	5	/	5	/	5	/	5	/	5	/	5	/	5	/	5	/	5	/
75	600			27	31	13	20	7	/	5	/	5	/	5	/	5	/	5	/	5	/
	900	47	39	13	21	6	/	5	/	5	/	5	/	5	/	5	/	5	/	5	/
	1200	27	31	7	/	5	/	5	/	5	/	5	/	5	/	5	/	5	/	5	/
	1500	18	25	5	/	5	/	5	/	5	/	5	/	5	/	5	/	5	/	5	/
	1800	13	20	5	/	5	/	5	/	5	/	5	/	5	/	5	/	5	/	5	/
100	600			47	40	22	29	13	22	8	/	6	/	5	/	5	/	5	/	5	/
	900			22	29	10	20	6	/	5	/	5	/	5	/	5	/	5	/	5	/
	1200	47	40	13	22	6	/	5	/	5	/	5	/	5	/	5	/	5	/	5	/
	1500	31	34	8	/	5	/	5	/	5	/	5	/	5	/	5	/	5	/	5	/
	1800	22	29	6	/	5	/	5	/	5	/	5	/	5	/	5	/	5	/	5	/
125	600			33	36	19	28	13	22	13	22	9	20	7	/	5	/	5	/	5	/
	900			33	36	15	25	9	20	6	/	5	/	5	/	5	/	5	/	5	/
	1200			19	28	9	20	5	/	5	/	5	/	5	/	5	/	5	/	5	/
	1500	47	41	13	23	6	/	5	/	5	/	5	/	5	/	5	/	5	/	5	/
	1800	33	36	9	/	5	/	5	/	5	/	5	/	5	/	5	/	5	/	5	/
150	600			47	41	27	34	18	28	13	23	13	23	10	20	7	/	5	/	5	/
	900			47	42	22	31	8	20	6	/	5	/	5	/	5	/	5	/	5	/
	1200			27	34	13	23	7	/	5	/	5	/	5	/	5	/	5	/	5	/
	1500			18	28	8	/	5	/	5	/	5	/	5	/	5	/	5	/	5	/
	1800	47	42	13	24	6	/	5	/	5	/	5	/	5	/	5	/	5	/	5	/
175	600					36	39	24	33	17	28	13	24	13	24	10	20	8	/	7	/
	900					29	36	11	22	8	20	6	/	5	/	5	/	5	/	5	/
	1200			36	39	17	28	7	/	5	/	5	/	5	/	5	/	5	/	5	/
	1500			24	33	11	22	7	/	5	/	5	/	5	/	5	/	5	/	5	/
	1800			17	28	8	/	5	/	5	/	5	/	5	/	5	/	5	/	5	/



SLD25 EXTRACT DIFFUSER FACE ONLY (continued)

AIR VOL (l/s)	1-Slot		2-Slot		3-Slot		4-Slot		5-Slot		6-Slot		7-Slot		8-Slot		9-Slot		10-Slot	
	Pa	NR	Pa	NR	Pa	NR	Pa	NR	Pa	NR	Pa	NR	Pa	NR	Pa	NR	Pa	NR	Pa	NR
200	600						47	43	31	37	22	32	16	28	13	25	10	21	8	20
	900				37	40	22	32	14	26	10	22	8	20	6	/	5	/	5	/
	1200		47	43	22	32	13	25	8	20	6	/	5	/	5	/	5	/	5	/
	1500		31	37	14	26	8	20	6	/	5	/	5	/	5	/	5	/	5	/
	1800		22	32	10	22	6	/	5	/	5	/	5	/	5	/	5	/	5	/
250	600								47	44	33	39	25	35	19	31	15	28	13	25
	900						33	39	22	33	15	28	12	24	10	21	7	/	6	/
	1200				33	39	19	31	13	25	9	21	7	/	5	/	5	/	5	/
	1500		47	44	22	33	13	26	8	20	6	/	5	/	5	/	5	/	5	/
	1800		33	39	15	28	9	21	6	/	5	/	5	/	5	/	5	/	5	/
300	600										47	44	35	40	27	37	22	34	18	31
	900						47	45	31	39	22	34	16	30	13	27	10	23	8	21
	1200				47	44	27	37	18	31	13	26	10	22	7	20	6	/	5	/
	1500				31	39	18	31	12	25	8	20	6	/	5	/	5	/	5	/
	1800		47	45	22	34	13	27	8	21	6	/	5	/	5	/	5	/	5	/
400	600														47	46	37	43	31	40
	900										37	43	28	39	22	35	17	32	14	29
	1200						47	46	31	40	22	35	16	31	13	28	10	24	8	22
	1500						31	40	20	34	14	29	11	25	8	22	7	/	6	/
	1800				37	43	22	35	14	29	10	25	8	21	6	/	5	/	5	/
500	600																		47	47
	900												43	46	33	42	26	39	22	36
	1200								47	47	33	42	25	38	19	34	15	31	13	28
	1500						47	47	31	41	22	36	16	32	13	29	10	25	8	23
	1800						33	42	22	36	15	31	12	27	9	24	7	21	6	20

Throw data (metres) is based on to a Terminal Velocity of 0.5m/s to give an average room air movement of 0.25m/s when fitted within a 2.7m high ceiling.

Sound Power Levels (NR) and Pressure Drops (Pa) applies to a fully opened Damper. The assumed room absorption is between 8-10dB.

Selection and tests are based on +/- 10°C.

/ indicates a value of less than 20.

Selections charts do not include for 2-Way (split) performance. Please contact our head office for full selections.

# Notes

SID