

# CIRCULAR PLATE DIFFUSER - CPD

## DESCRIPTION & FEATURES

Circular Multi Cone Diffusers CPD (mounted in a 596sq plate) are designed to handle large volumes of air and distribute it evenly in a 360° pattern. Various blow patterns can be obtained by moving the core into or out of the frame.



Adjustable core makes adjustment of throw easy. Screwing in the core gives a mostly vertical throw, perfect for spot cooling. In contrast, rotating the core out directs the majority of air sideways for excellent diffusion.

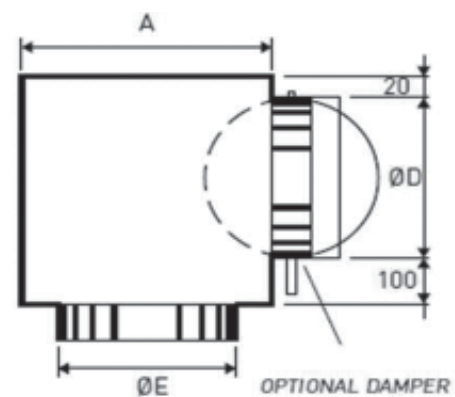
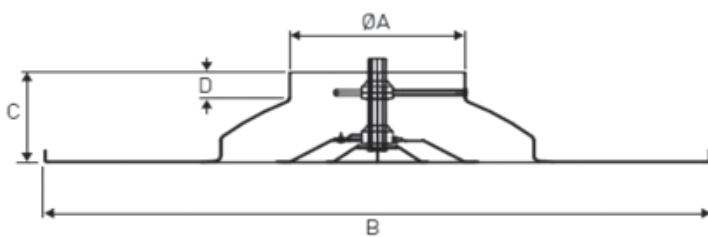
Standard finish is RAL9010 or polyester powder coated to the customers colour requirement.

## PLENUM BOXES

Plenum boxes are accessories for use with Grilles and Diffusers. They are designed to equalise the pressure profile within the box and hence provide an even velocity at the face of the Grille or Diffuser without the use of Equalising Grids.

CPD ORDERING CODE (DIFFUSER)	
Series	<b>CPD</b>
Damper	<b>B</b> - Butterfly Damper (in neck) <b>0</b> - No Damper
Finish	<b>1</b> - (Mill Finish) <b>2</b> - RAL9006 (Silver/Grey) <b>3</b> - RAL9010 (White) <b>4</b> - RAL9005 (Black) <b>5</b> - RAL9003 (White) <b>6</b> - RAL9016 (White), <b>7</b> - Other RAL/BS Code (additional costs may apply)
Example: <b>CPD/B/3/Model Size</b>	

CPD ORDERING CODE (PLENUM)	
Type	<b>PBU</b> - Un-Lined Side <b>PBL</b> - Lined Side
Series	<b>CPD</b>
Mesh	<b>P</b> - Perforated Equalising Mesh <b>0</b> - No Equalising Mesh
Spigot	<b>OP</b> - 2 Opposite Spigots <b>AD</b> - 2 Adjacent Spigots <b>FL</b> - Flat Oval Spigot
Finish	<b>IN</b> - Black Internal <b>EX</b> - Black External <b>IE</b> - Black Internal & External
Example: <b>PBL/CPD/Model Size/Spigot Size</b>	



SIZE	A	B	C	D
100	96	596x596	85	33
150	146	596x596	90	23
160	156	596x596	90	28
200	196	596x596	115	37
250	246	596x596	135	37
300	296	596x596	115	45
315	311	596x596	115	44

SIZE	AxB	D	E
100	200x200	96	102
150	250x250	146	152
160	250x250	156	162
200	300x300	196	202
250	350x350	196	252
300	400x400	246	302
315	400x400	246	317

# Notes

CPD