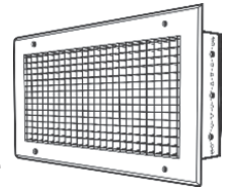


EGGCRATE GRILLE - ECG

DESCRIPTION & FEATURES

Eggcrate grilles (ECG) are suitable for extract air in either sidewall or ceiling applications where a high percentage free area is required. The aluminium eggcrate core is 12mm x 12mm with a standard flange configuration of 32mm.



ECG

Available options are Opposed Blade Damper (OB), Removable Core (RC) and Core Only (CO), and Filter Frame. ECG grille frames are manufactured from extruded aluminium sections, the mitred corners being fully welded and finished.

Standard finish is RAL9010 or polyester powder coated to the customers colour requirement.

PLENUM BOXES

Plenum boxes are accessories for use with Grilles and Diffusers. They are designed to equalise the pressure profile within the box and hence provide an even velocity at the face of the Grille or Diffuser without the use of Equalising Grids.

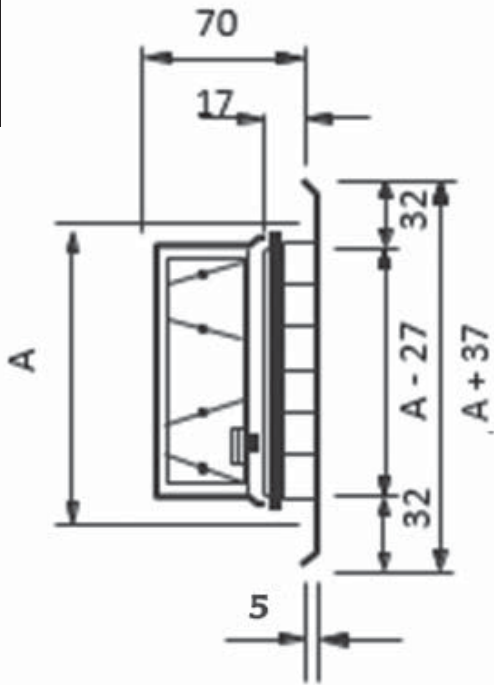
ECG ORDERING CODE (GRILLE)	
Series	ECG
Frame	S - 32mm Frame (std) 0 - No Frame (Core Only) FF - Filter Frame
Core	S - Standard CO - Core Only RC - Removable Core
Access	OB - Opposed Blade Damper N - Non Vision Plate FM - Filter Media (TBA) 0 - Not Applicable
Fixing	F0 - No fixings F1 - CSK Flange Fixing Holes F2 - Spring Clip F4 - Rear Strap F5 - Rear Strap & Bracket F6 - Goal Post Bracket
Finish	1 - (Mill Finish) 2 - RAL9006 (Silver/Grey) 3 - RAL9010 (White) 4 - RAL9005 (Black) 5 - RAL9003 (White) 6 - RAL9016 (White) 7 - Other RAL/BS Code (additional costs may apply) 8 - Chrome Finish - Powder Coated
Note	Eggcrate Grilles can also be manufactured from various grades of Stainless Steel, please contact Sales Office.
Example: ECG/S/S/OB/F1/3/Nominal Opening Size	

ECG ORDERING CODE (PLENUM)	
Type	PBU - Un-Lined Side Entry PBL - Lined Side Entry PBA - Adaptor Top Entry
Series	ECG
Mesh	P - Perforated Equalising Mesh 0 - No Equalising Mesh
Damper	LS - Lever Spigot Damper CS - Cord Spigot Damper 0 - No Damper
Spigot	OP - 2 Opposite Spigots AD - 2 Adjacent Spigots FL - Flat Oval Spigot
Finish	IN - Black Internal EX - Black External IE - Black Internal & External
Example: PBL/ECG/0/0/Nominal Size/Spigot Size	

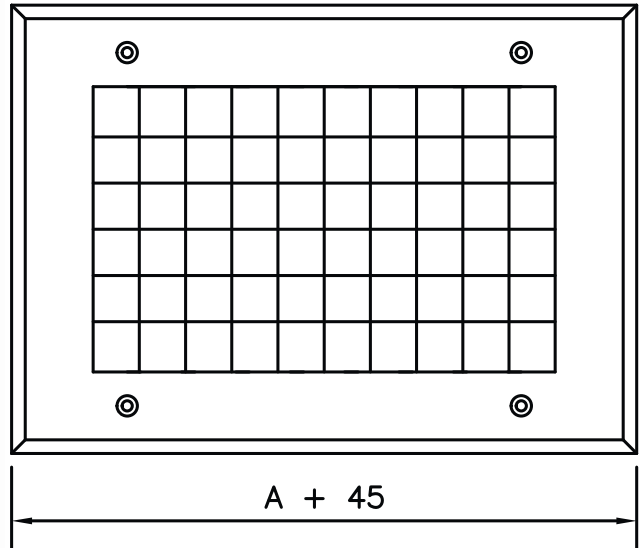
EGGCRATE GRILLE - ECG

ECG DIMENSIONS (GRILLE)

ECG



ECG / OBD

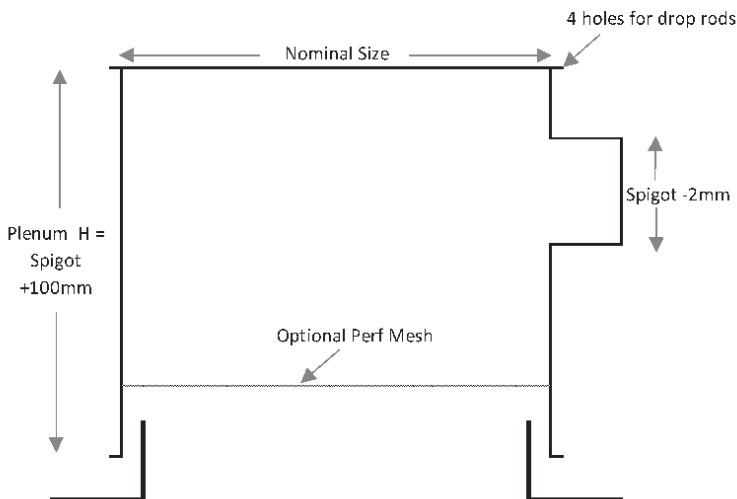


A = Opening / Duct size = Listed size

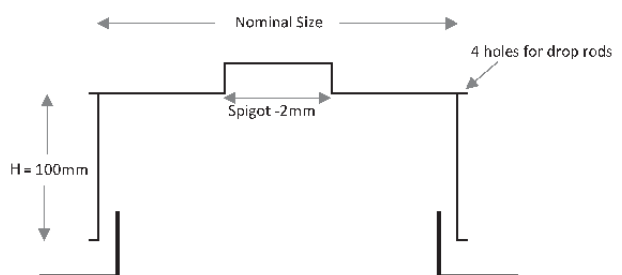
Grilles are available to fit duct sizes from 100mm x 100mm up to maximum 1200mm x 1200mm as a single unit.

PLENUM BOX DIMENSIONS

PLENUM



ADAPTOR BOX



Side entry as drawn. Top entry 250 high.

EXTRACT GRILLES c/w SIDE ENTRY PLENUM - ECG

AIR VOL (l/s)	HEIGHT	SPIGOT	WIDTH																							
			150		200		300		400		500		600		700		800		900		1000		1100		1200	
			Pa	NR	Pa	NR	Pa	NR	Pa	NR	Pa	NR	Pa	NR	Pa	NR	Pa	NR	Pa	NR	Pa	NR	Pa	NR	Pa	NR
25	150	125dia	8	/	9	/	5	/	5	/	5	/	5	/	5	/	5	/	5	/	5	/	5	/	5	/
	150	150dia	28	22	17	/	10	/	8	/	5	/	5	/	5	/	5	/	5	/	5	/	5	/	5	/
	200		11	/	8	/	5	/	5	/	5	/	5	/	5	/	5	/	5	/	5	/	5	/	5	/
75	150	200dia	37	25	14	15	9	/	6	/	7	/	6	/	5	/	5	/	5	/	5	/	5	/	5	/
	200		16	20	9	/	6	/	5	/	5	/	5	/	5	/	5	/	5	/	5	/	5	/	5	/
	300		6	/	5	/	5	/	5	/	5	/	5	/	5	/	5	/	5	/	5	/	5	/	5	/
100	150	200dia	25	23	16	/	11	/	10	/	9	/	9	/	5	/	5	/	5	/	5	/	5	/	5	/
	200	200dia	29	25	16	/	11	/	10	/	9	/	8	/	5	/	5	/	5	/	5	/	5	/	5	/
	300	250dia	6	/	5	/	5	/	5	/	5	/	5	/	5	/	5	/	5	/	5	/	5	/	5	/
125	150	250dia	14	20	11	/	9	/	8	/	7	/	7	/	5	/	5	/	5	/	5	/	5	/	5	/
	200		12	/	8	/	7	/	7	/	5	/	5	/	5	/	5	/	5	/	5	/	5	/	5	/
	300		10	/	8	/	7	/	5	/	5	/	5	/	5	/	5	/	5	/	5	/	5	/	5	/
150	150	250dia	19	22	15	20	12	/	11	/	10	/	10	/	10	/	10	/	10	/	10	/	10	/	10	/
	200		17	20	12	/	10	/	9	/	8	/	8	/	5	/	5	/	5	/	5	/	5	/	5	/
	300		14	/	10	/	8	/	8	/	5	/	5	/	5	/	5	/	5	/	5	/	5	/	5	/
	400		8	/	7	/	5	/	5	/	5	/	5	/	5	/	5	/	5	/	5	/	5	/	5	/
200	200	300dia	18	22	14	20	12	/	10	/	9	/	9	/	8	/	8	/	8	/	8	/	8	/	8	/
	300		20	24	14	20	10	/	9	/	8	/	8	/	5	/	5	/	5	/	5	/	5	/	5	/
	400		10	/	8	/	8	/	5	/	5	/	5	/	5	/	5	/	5	/	5	/	5	/	5	/
	500		8	/	5	/	5	/	5	/	5	/	5	/	5	/	5	/	5	/	5	/	5	/	5	/
250	300	350dia	12	20	10	/	8	/	8	/	8	/	8	/	5	/	5	/	5	/	5	/	5	/	5	/
	400		11	/	7	/	7	/	7	/	6	/	6	/	5	/	5	/	5	/	5	/	5	/	5	/
	500		7	/	6	/	6	/	5	/	5	/	5	/	5	/	5	/	5	/	5	/	5	/	5	/
	600		6	/	6	/	6	/	5	/	5	/	5	/	5	/	5	/	5	/	5	/	5	/	5	/
300	300	350dia	18	22	14	/	12	/	11	/	11	/	11	/	10	/	10	/	10	/	10	/	10	/	10	/
	400		16	21	13	/	11	/	9	/	7	/	7	/	5	/	5	/	5	/	5	/	5	/	5	/
	500		10	/	9	/	9	/	8	/	6	/	6	/	5	/	5	/	5	/	5	/	5	/	5	/
	600		9	/	9	/	9	/	7	/	7	/	7	/	5	/	5	/	5	/	5	/	5	/	5	/
350	300	400dia	15	22	12	20	12	/	20	/	15	22	12	20	10	/	9	/	8	/	8	/	8	/	8	/
	400		18	25	13	20	10	/	9	/	8	/	7	/	7	/	7	/	7	/	7	/	7	/	7	/
	500		10	/	8	/	8	/	7	/	6	/	6	/	5	/	5	/	5	/	5	/	5	/	5	/
	600		9	/	9	/	9	/	7	/	6	/	6	/	5	/	5	/	5	/	5	/	5	/	5	/
400	300	400dia	20	28	16	22	14	20	12	/	20	26	16	22	14	20	12	/	11	/	10	/	10	/	10	/
	400		24	28	17	23	14	20	12	/	11	/	10	/	9	/	9	/	8	/	8	/	8	/	8	/
	500		13	/	13	/	11	/	10	/	10	/	11	/	9	/	9	/	8	/	8	/	8	/	8	/
	600		10	/	10	/	10	/	9	/	9	/	9	/	8	/	8	/	8	/	8	/	8	/	8	/

EXTRACT GRILLES c/w SIDE ENTRY PLENUM - ECG (continued)

AIR VOL (l/s)	HEIGHT	SPIGOT	WIDTH																								
			150		200		300		400		500		600		700		800		900		1000		1100		1200		
			Pa	NR	Pa	NR	Pa	NR	Pa	NR	Pa	NR	Pa	NR	Pa	NR	Pa	NR	Pa	NR	Pa	NR	Pa	NR	Pa	NR	
500	300																										
	400	450dia																									
	500																										
	600																										
600	300																										
	400																										
	500	500dia																									
	600																										

Extract Grilles Face Only (based on 20Pa, NC25 Max)

SIZE/AIR VOL	
150 x 150 50 l/s	200 x 200 70 l/s
300 x 300 210 l/s	400 x 400 350 l/s
500 x 500 520 l/s	600 x 600 720 l/s