

SUPPLY or EXTRACT VALVES - SEV

DESCRIPTION & FEATURES

Valves (SEV) are suitable for use with all types of ventilation systems and offer an alternative low cost valve where noise level, although important, is not critical. Adjustment of the airflow is achieved by rotating the inner cone to the desired setting and is secured by means of a single lock nut.



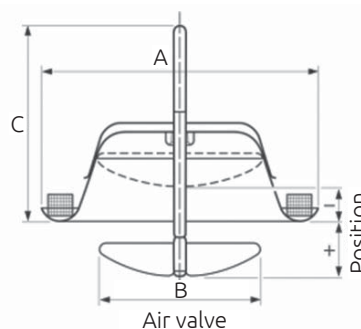
Steel Valves are c/w mounting ring. The mounting ring is suitable for connecting to conventional ducting or for grouting into a wall and should be positioned to ensure that the front rim is flush with the finished wall face. The air valve has a quarter turn bayonet type fastening which secures it firmly in place in the mounting ring. SEV valves are manufactured from steel spinings, the outer body is fitted with a gasket to form an airtight seal with the mounting ring. The mounting ring being made from plated steel. Valves are finished in white, or polyester powder coated to the customers colour requirement.

Plastic valves are manufactured from white polyamide and polypropylene. The plastic valves are suitable for temperatures up to 100°C.

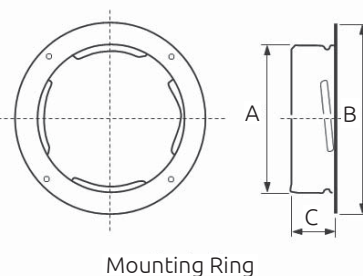
SEV ORDERING CODE	
Series:	SEV
Const	S - Steel
	P - Plastic
Function	S - Supply
	E - Extract
	F - Fire Rated
Fixing	F3 - Mounting Ring
Finish	W - White
	7 - Other RAL/BS Code (additional costs may apply)
Example: SEV/S/E/W/200dia	

SEV/S STEEL DIMENSIONS

SIZE	A	B	C
VALVE			
80	115	61	75
100	137	75	75
125	161	100	95
150	202	120	95
160	212	130	95
200	248	157	120

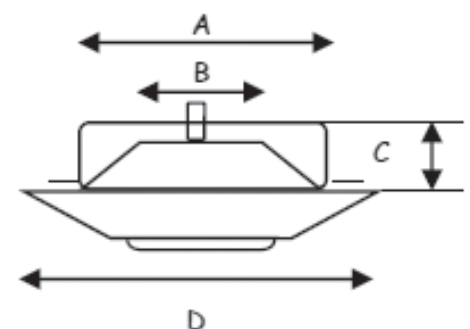


SIZE	A	B	C
MOUNTING RING			
80	80	108	30
100	100	130	30
125	125	155	30
150	150	178	30
160	160	190	30
200	200	236	30



SEV/P PLASTIC DIMENSIONS

SIZE	A	B	C	D
100	95	80	40	145
125	120	93	40	158
150	145	124	40	195
160	158	124	40	195
200	195	170	40	245



SEV Performance Data - Supply

AIR VOL (l/s)	SIZE	DISC POSITION (% OPEN)											
		25%				50%				100%			
		T	Pa	NR	NR	T	Pa	NR	NR	T	Pa	NR	NR
10	100	0.8	45	28	20	0.8	17	20	20	0.6	5	5	/
	125	0.8	20	/	/	0.6	6	/	/	0.5	2	/	/
15	100	0.9	20	/	/	1.1	38	26	26	0.9	11	20	20
	125	0.9	20	/	/	0.9	14	/	/	0.7	5	/	/
20	100	1.5	82	33	33	1.3	26	20	20	0.9	9	9	/
	125	0.8	15	/	/	0.8	10	/	/	0.5	4	/	/
	160	1.0	22	20	20	0.9	16	/	/	0.7	6	/	/
	200	0.8	23	/	/	0.6	8	/	/	0.5	2	/	/
30	125	1.2	40	20	20	1.9	58	31	31	1.4	20	/	/
	160	1.2	40	20	20	1.0	23	/	/	0.8	9	/	/
	200	0.8	14	/	/	0.7	11	/	/	0.6	4	/	/
	125	1.7	73	33	33	1.4	41	26	26	1.1	16	/	/
40	160	1.4	62	30	30	1.0	22	/	/	0.8	7	/	/
	200	1.7	93	38	38	1.2	35	25	25	1.0	11	/	/
	160	1.7	93	38	38	1.6	50	35	35	1.2	16	/	/
	200	1.8	68	38	38	2.0	85	42	42	1.7	30	27	27
100	200	2.1	47	35	35	1.8	36	25	25	1.8	16	/	/

SEV Performance Data - Extract

AIR VOL (l/s)	SIZE	DISC POSITION (% OPEN)															
		25%				50%				75%				100%			
		Pa	NR	NR	NR	Pa	NR	NR	NR	Pa	NR	NR	NR	Pa	NR	NR	NR
10	100	64	26	21	15	36	21	15	15	8	8	/	/				
	125	20	/	/	7	10	/	/	3	3	/	/	/				
15	100	45	20	30	31	54	30	21	21	16	16	/	/				
	125	45	20	/	15	23	/	/	8	8	/	/	/				
20	100	79	32	51	28	79	32	28	28	26	26	21	21				
	125	55	22	20	25	42	20	25	25	15	15	/	/				
	160	51	23	/	15	25	/	/	10	10	/	/	/				
	125	65	27	40	20	65	27	20	20	23	23	/	/				
25	160	80	26	39	24	39	20	24	24	16	16	/	/				
	200	29	/	12	5	12	/	5	5	5	5	/	/				
	125	94	33	60	25	94	33	25	25	34	34	/	/				
	160	56	25	34	20	56	25	20	20	23	23	/	/				
30	200	41	21	17	8	17	/	8	8	3	3	/	/				
	125	95	35	28	28	95	35	28	28	61	61	28	28				
	160	100	33	61	28	100	33	28	28	42	42	5	5				
	200	74	33	21	14	31	/	14	14	14	14	/	/				
50	160	156	39	95	34	156	39	34	34	66	66	30	30				
	200	41	26	16	8	41	26	8	8	8	8	/	/				
60	200	59	36	28	22	59	36	22	22	12	12	/	/				
	70	81	87	39	27	81	87	27	27	17	17	/	/				
80	200	50	33	80	45	50	33	45	45	22	22	/	/				
	100	80	45	35	28	80	45	28	28	35	35	28	28				